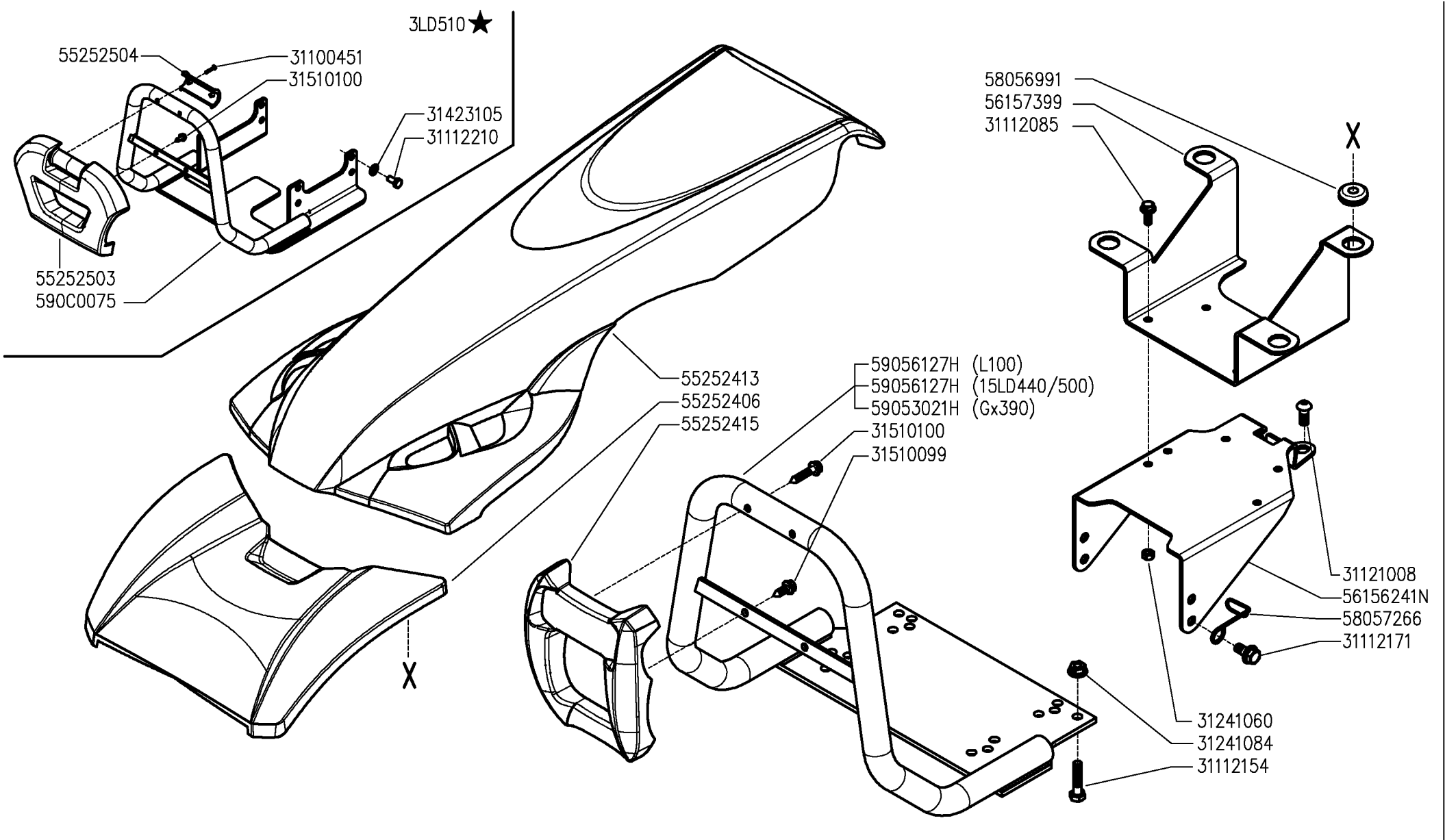


Inhoudsopgave

Drijfwerkhuis 00	27
Drijfwerkolie Filter 03	21
Elecktrisch 01	69
Gewichten aan Drijfwerk 00	29
Handels & Kabels 02	55
Kappen 03	7
Koppel Asjes 01	23
Koppeling 02	15
Motor Flenzen 01	25
Motorkapje 00	75
Powersafe 03	11
Remmen 02	65
Schakelpoken 01	59
Stickers 02	73
Stuur & Kabels 01	49
Stuurboom 02	47
Tandwielen 03	39
Wielas & Diff. 01	43
Parts Index	77

Code	Description	Notes
A02_1_77305	A02_01 - ENGINE PROTECTIONS	
A.02.01.A0003_02	A02_02 - ENGINE PROTECTIONS	
A.02.01.A0003_03	A02_03 - ENGINE PROTECTIONS	
B01_2_77329	B01_02 - POWERSAFE CLUCH CONTROL	
B.01.01.A0001_03	B01_03 - POWERSAFE CLUCH CONTROL	
C01_1_72820	C01_01 - CYLINDER AND POWERSAFE CLUTCH	
C.01.01.A0001_02	C01_02 - CYLINDER AND POWERSAFE CLUTCH	
D01_1_77361	D01_01 - POWERSAFE FILTER UNIT	
D.01.01.A0001_02	POWERSAFE FILTER UNIT	
D.01.01.A0003_03	POWERSAFE FILTER UNIT	
E01_1_77371	E01_01 - POWERSAFE CLUTCH HUB	
F01_1_77388	F01_01 - ENGINE FLANGES	
G03_0_77436	GEARBOX (360)	
G04_0_77461	FARINGS (360)	
H03_1_77469	H03_01 - GEARS	
H.03.02.A0003_02	H03_02 - GEARS	
H.03.02.A0003_03	H03_03 - GEARS	
I04_1_77517	I04_1 - WHEELS AXLE	
J03_1_77552	J03_01 - STEERING COLUMN	
J03_2_77555	J03_02 - STEERING COLUMN	
K03_1_77574	K03_01 - HANDLEBAR (340_346_360)	
L03_1_77607	L03_01 - HANDLEBAR CONTROLS	
L.03.01.A0003_02	L03_02 - HANDLEBAR CONTROLS	
M03_1_77650	M03_01 - CONTROLS (340_346_360)	
N02_1_77691	N02_01 - BRAKES	
N.02.01.A0003_02	N02_02 - BRAKES	
Q01_0_67569	Q01_00 - ELECTRIC STARTER	
Q01_1_81859	Q01_01 - ELECTRIC STARTER	
R01_0_67594	R01_00 - STICKERS	
R.02.01.A0003_02	R02_02 - STICKERS	
S.01.01.A0027_00	S01_00 - ENGINE COVER KIT	



300 serie PS
PowerSafe®

ENGINE PROTECTIONS
PROTECCIONES MOTOR

PROTEZIONI MOTORE
(340-346-360 ★)

PROTECCIONES MOTEUR
MOTORSCHUTZ

DALLA MACCHINA
DE LA MAQUINA
DE LA MAQUINA
FROM THE MACHINE
AB DER MASCHINE

★ N.

AGGIORNAMENTO
APLAZAMIENTO
MISE A JOUR
REVISION
ANPASSUNG

A02

11/2010

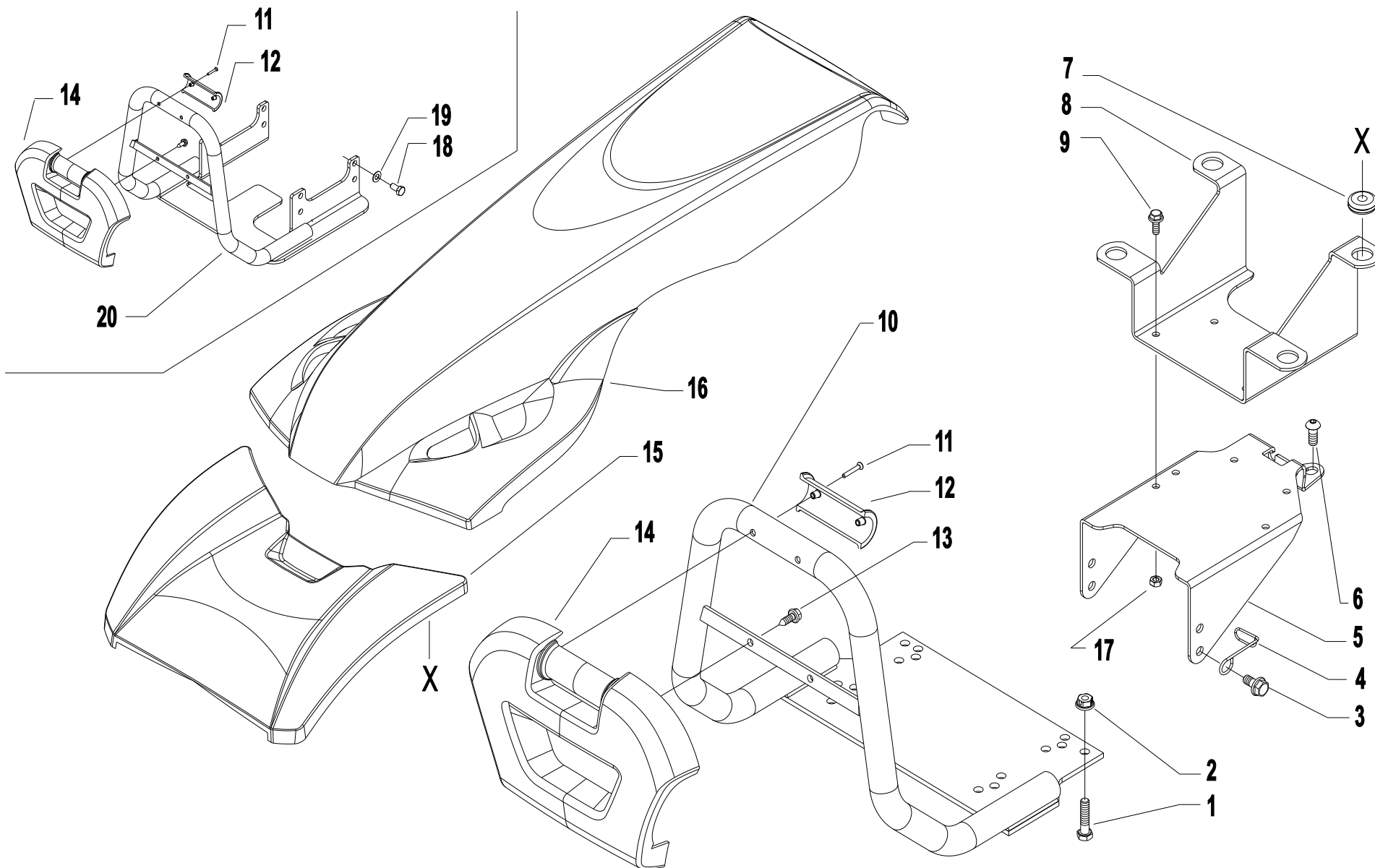
Rev.

1

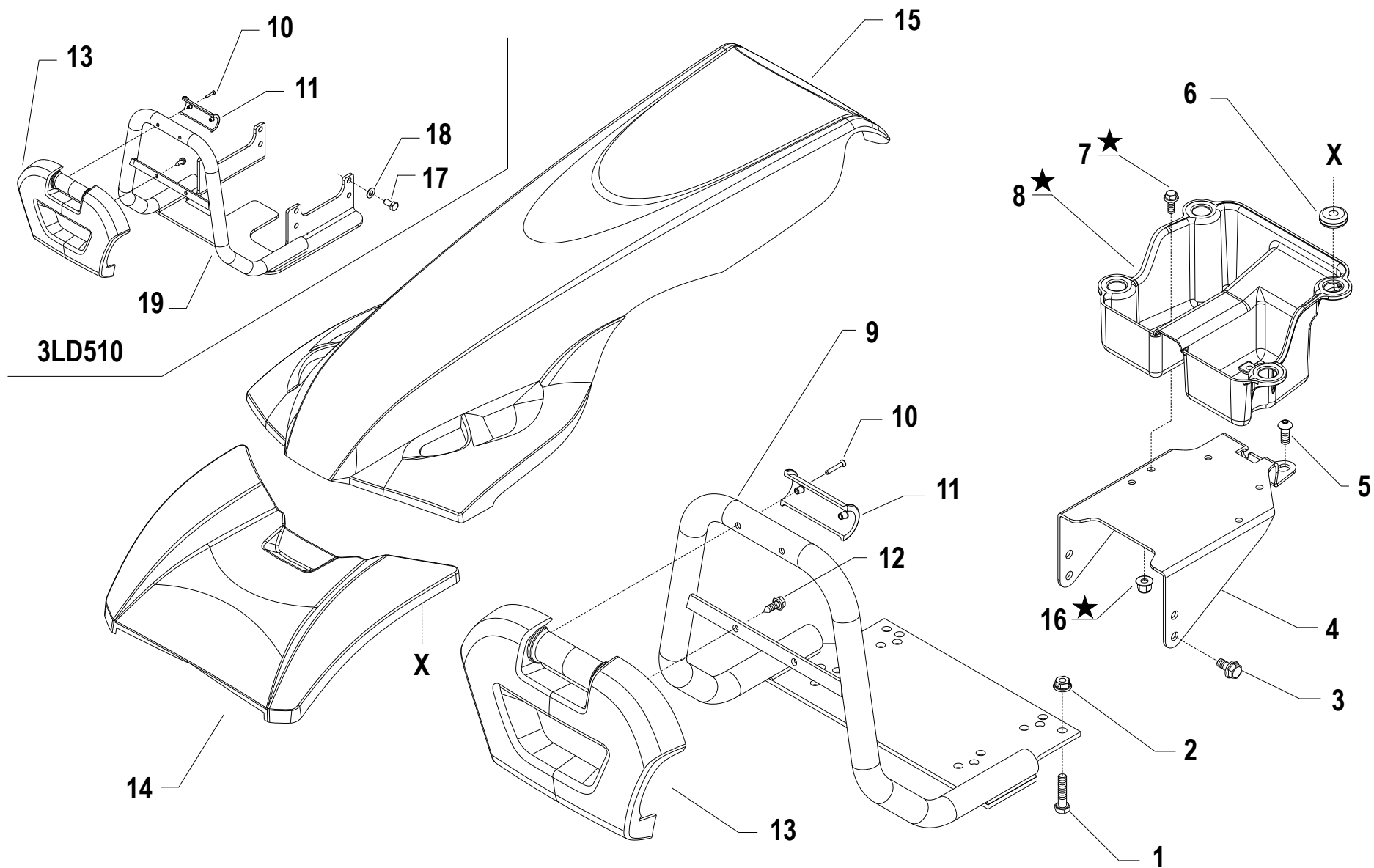
Pos.	Code	Q.ty	Description	Notes
31100451	31100451	1	SCREW 3,5X25	
31112085	31112085	1	SCREW TE M6X16 DIN 6921 8G	
31112154	31112154	1	SCREW TE M8X40 UNI 5739 8G	
31112171	31112171	1	SCREW TE C/F M8X16 DIN 6921	
31112210	31112210	1	SCREW TE M10X20 UNI 5739	
31121008	31121008	1	SCREW TBCEI M10X16 ISO 7380	
31241060	31241060	1	HEXAGON SELFLOCK NUT M6	
31241084	31241084	1	SELFLOCK NUT M8 6S	
31423105	31423105	1	SPRING WASHER 10,5	
31510099	31510099	1	RIBBED SCREW 6,3X38 UNI 6950	
31510100	31510100	1	RIBBED SCREW 6,3X19 UNI 6950	
55252406	55252406	1	GUARD	
55252413	55252413	1	GUARD	
55252415	55252415	1	GUARD	
55252503	55252503	1	FREGIO ANT.MC 2010 FERRARI	
55252504	55252504	1	HALF BEARING	
56157399	56157399	1	HOLDER	
58056991	58056991	1	CABLE GLAND	
58057266	58057266	1	HOLDER	
590C0075	590C0075	1	COMPLETE BUMPERS	
56156241	56156241N	1	TUNNEL	
59053021	59053021H	1	BUMPER C.15LD-ACT-GX ALUM.	
59056127	59056127H	1	BUMPER FOR 740	

A02_02 - ENGINE PROTECTIONS

SERIAL START 857706

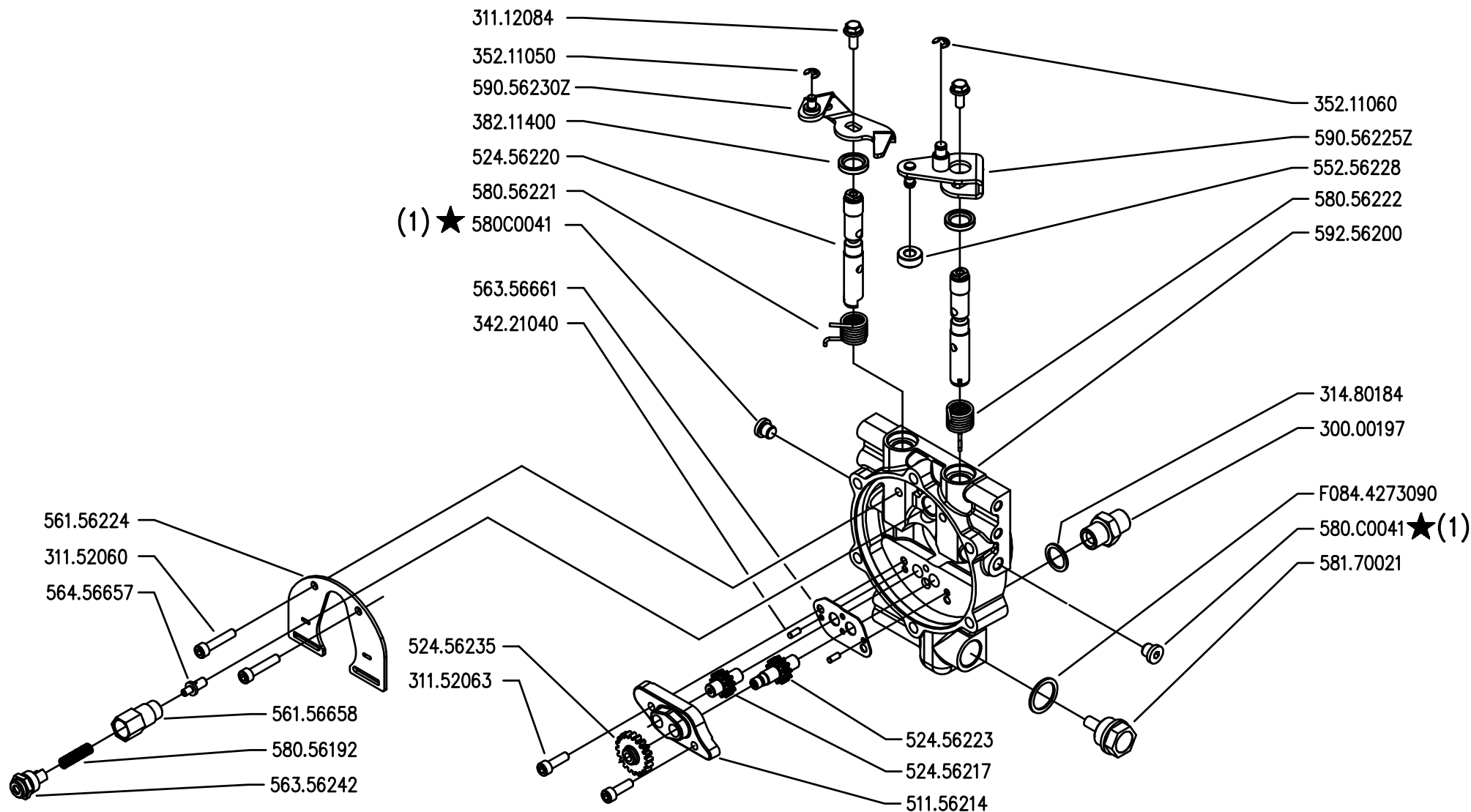


Pos.	Code	Q.ty	Description	Notes
1	31112154	1	SCREW TE M8X40 UNI 5739 8G	
2	31241084	1	SELFLOCK NUT M8 6S	
3	31112171	1	SCREW TE C/F M8X16 DIN 6921	
4	58057266	1	HOLDER	
5	56156241N	1	TUNNEL	
6	31121008	1	SCREW TBCEI M10X16 ISO 7380	
7	58056991	1	CABLE GLAND	
8	56157399	1	HOLDER	
9	31112085	1	SCREW TE M6X16 DIN 6921 8G	
10	59056127H	1	BUMPER FOR 740	For motors L100 - 15LD440 - 500
11	59053021H	1	BUMPER C.15LD-ACT-GX ALUM.	For the engine GX390
12	31100451	1	SCREW 3,5X25	Replaces 55252415
13	55252504	1	HALF BEARING	Replaces 55252415
14	31510100	1	RIBBED SCREW 6,3X19 UNI 6950	Replaces 55252415
15	55252503	1	FREGIO ANT.MC 2010 FERRARI	Replaces 55252415
16	55252406	1	GUARD	
17	55252413	1	GUARD	
19	31112210	1	SCREW TE M10X20 UNI 5739	
20	31423105	1	SPRING WASHER 10,5	
21	590C0065H	1	COMPLETE BUMPER	



i = info - stop 2 sec. ★ = new part

Pos.	Code	Q.ty	Description	Notes
1	31112154		SCREW TE M8X40 UNI 5739 8G	
2	31241084		SELFLOCK NUT M8 6S	
3	31112171		SCREW TE C/F M8X16 DIN 6921	
4	56156241N		TUNNEL	
5	31121008		SCREW TBCEI M10X16 ISO 7380	
6	58056991		CABLE GLAND	
7	31112081		SCREW TE C/F M6X20 DIN 6921 8G	
8	552C1001		COFANETTO SOST.CARENATURA	REPLACES 56157399
9	59053021H		BUMPER C.15LD-ACT-GX ALUM.	GX390
9	59056127H		BUMPER FOR 740	L100 - 15LD440 - 15LD500
10	31100451		SCREW 3,5X25	
11	55252504		HALF BEARING	
12	31510100		RIBBED SCREW 6,3X19 UNI 6950	
13	55252503		FREGIO ANT.MC 2010 FERRARI	
14	55252406		GUARD	
15	55252413		GUARD	
16	31241066		SELFLOCK M6 FL NY DIN 6926	
17	31112210		SCREW TE M10X20 UNI 5739	
18	31423105		SPRING WASHER 10,5	
19	590C0065H		COMPLETE BUMPER	



(1) sostituisce (580.56798Z + 314.80180)



300 serie PS
 PowerSafe®

COMANDO FRIZIONE POWERSAFE

POWERSAFE CLUTCH CONTROL
 CONTROL EMBRAGUE POWERSAFE

CONTRÔLE EMBRAYAGE POWERSAFE
 REGELUND POWERSAFE KUPPLUNG

DALLA MACCHINA
 DE LA MAQUINA
 DE LA MACHINA
 FROM THE MACHINE
 AB DER MASCHINE



N.

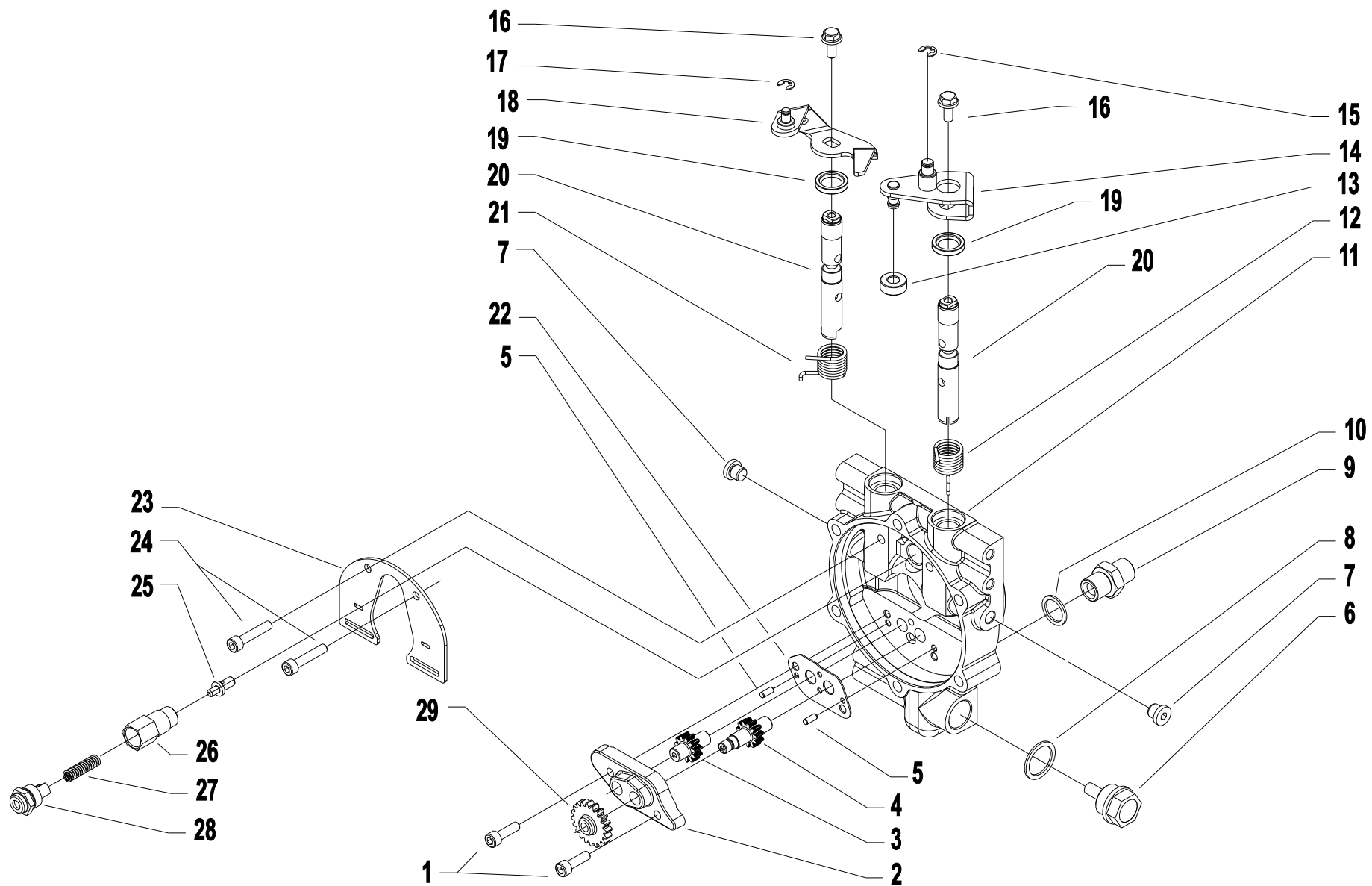
AGGIORNAMENTO
 APLAZAMIENTO
 MISE A JOUR
 REVISION
 ANPASSUNG

B01

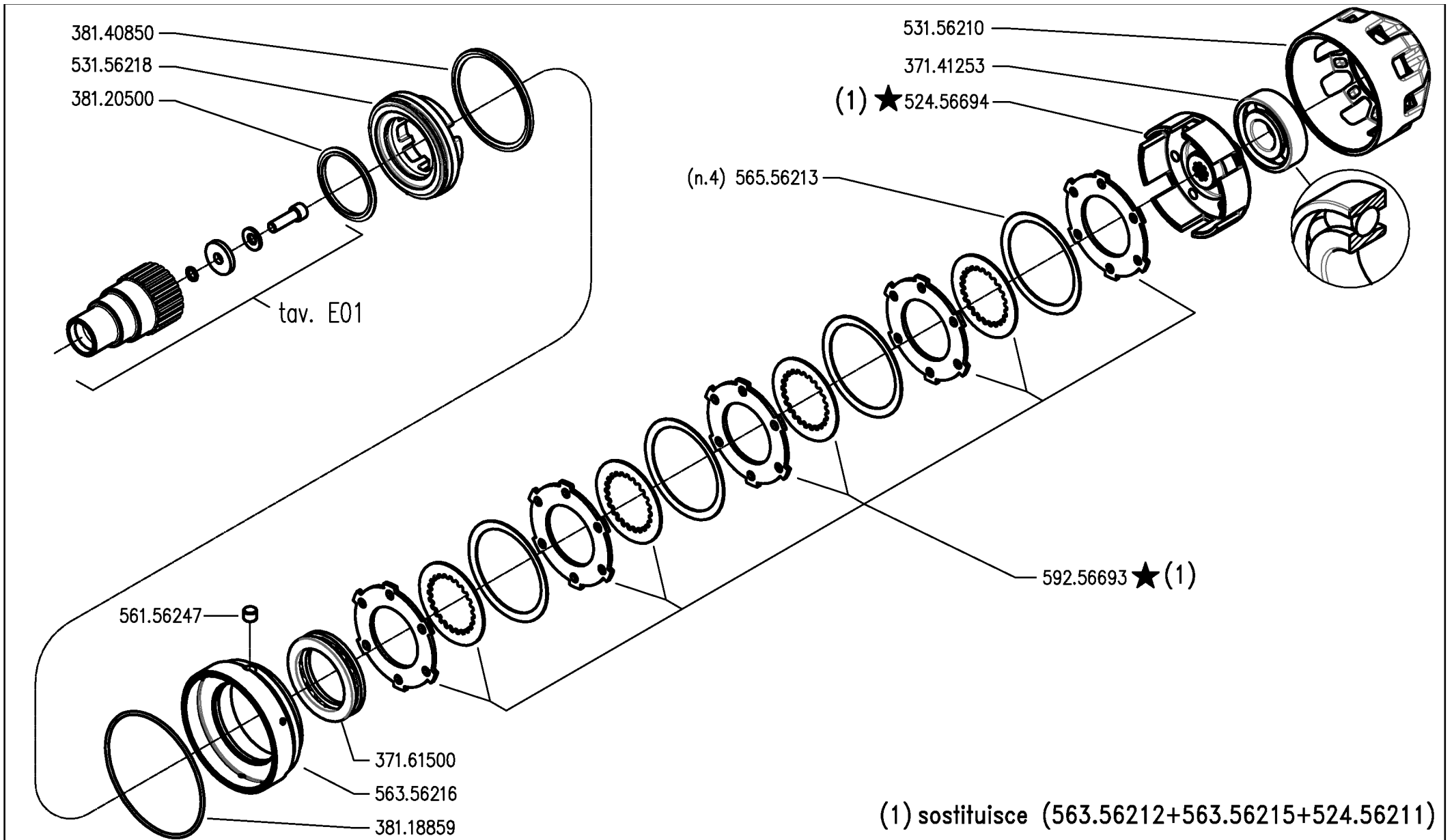
Rev.
 2

09/2010

Pos.	Code	Q.ty	Description	Notes
31112084	31112084	1	SCREW TE C/F M6X14 DIN 6921 8G	
31152060	31152060	1	SCREW TCEI M6X30 UNI 5931	
31152063	31152063	1	SCREW TCEI M6X20 UNI 5931	
31480184	31480184	1	COPPER WASHER 16,7x22/1,5	
34221040	34221040	1	CYLINDRICAL PLUG	
35211050	35211050	1	SEEGER RING	
35211060	35211060	1	SEEGER RING	
38211400	38211400	1	OIL SEAL 14X22X4	
51156214	51156214	1	COVER	
52456217	52456217	1	DRIVEN GEAR	
52456220	52456220	1	DISTRIBUTOR	
52456223	52456223	1	GEAR	
52456235	52456235	1	PUMP GEAR	
55256228	55256228	1	ROLLER	
56156224	56156224	1	SHIELD	
56156658	56156658	1	VALVE SEAT	
56356242	56356242	1	PLUG	
56356661	56356661	1	COUNTERWEIGHT	
56456657	56456657	1	VALVE	
58056192	58056192	1	SPRING	
58056221	58056221	1	SPRING	
58056222	58056222	1	SPRING	
580C0041	580C0041	1	PLUG	
58170021	58170021	1	PLUG	
59256200	59256200	1	CLUTCH FLANGE	
59056225	59056225Z	1	CLUTCH LEVER	
59056230	59056230Z	1	LEVER	
F0844273	F0844273090	1	GASKET 22X28X1,5 CU 99,5	



Pos.	Code	Q.ty	Description	Notes
1	31152063	1	SCREW TCEI M6X20 UNI 5931	
2	51156214	1	COVER	
3	52456217	1	DRIVEN GEAR	
4	52456223	1	GEAR	
5	34221040	1	CYLINDRICAL PLUG	
6	58170021	1	PLUG	
7	580C0041	1	PLUG	
8	F0844273090	1	GASKET 22X28X1,5 CU 99,5	
9	30000197	1	NIPPLE	
10	31480184	1	COPPER WASHER 16,7x22/1,5	
11	59256200	1	CLUTCH FLANGE	
12	58056222	1	SPRING	
13	55256228	1	ROLLER	
14	59056225Z	1	CLUTCH LEVER	
15	35211060	1	SEEGER RING	
16	31112084	1	SCREW TE C/F M6X14 DIN 6921 8G	
17	35211050	1	SEEGER RING	
18	59056298Z	1	LEVER	Replaces 59056230Z from serial 901289
19	38211400	1	OIL SEAL 14X22X4	
20	52456220	1	DISTRIBUTOR	
21	58056221	1	SPRING	
22	56356661	1	COUNTERWEIGHT	
23	56156224	1	SHIELD	
24	31152060	1	SCREW TCEI M6X30 UNI 5931	
25	56456657	1	VALVE	
26	56156658	1	VALVE SEAT	
27	58056683	1	SPRING	Replaces 58056192 from serial number 883609
28	56356242	1	PLUG	
29	52456235	1	PUMP GEAR	



300 serie PS
PowerSafe®

CILINDRO E FRIZIONE POWERSAFE

CYLINDER AND POWERSAFE CLUTCH

CILINDRO Y EMBRAGUE POWERSAFE

CYLINDER ET EMBRAYAGE POWERSAFE

ZILINDER UND POWERSAFE KUPPLUNG

DALLA MACCHINA
DE LA MAQUINA
DE LA MACHINA
FROM THE MACHINE
AB DER MASCHINE

★ N.

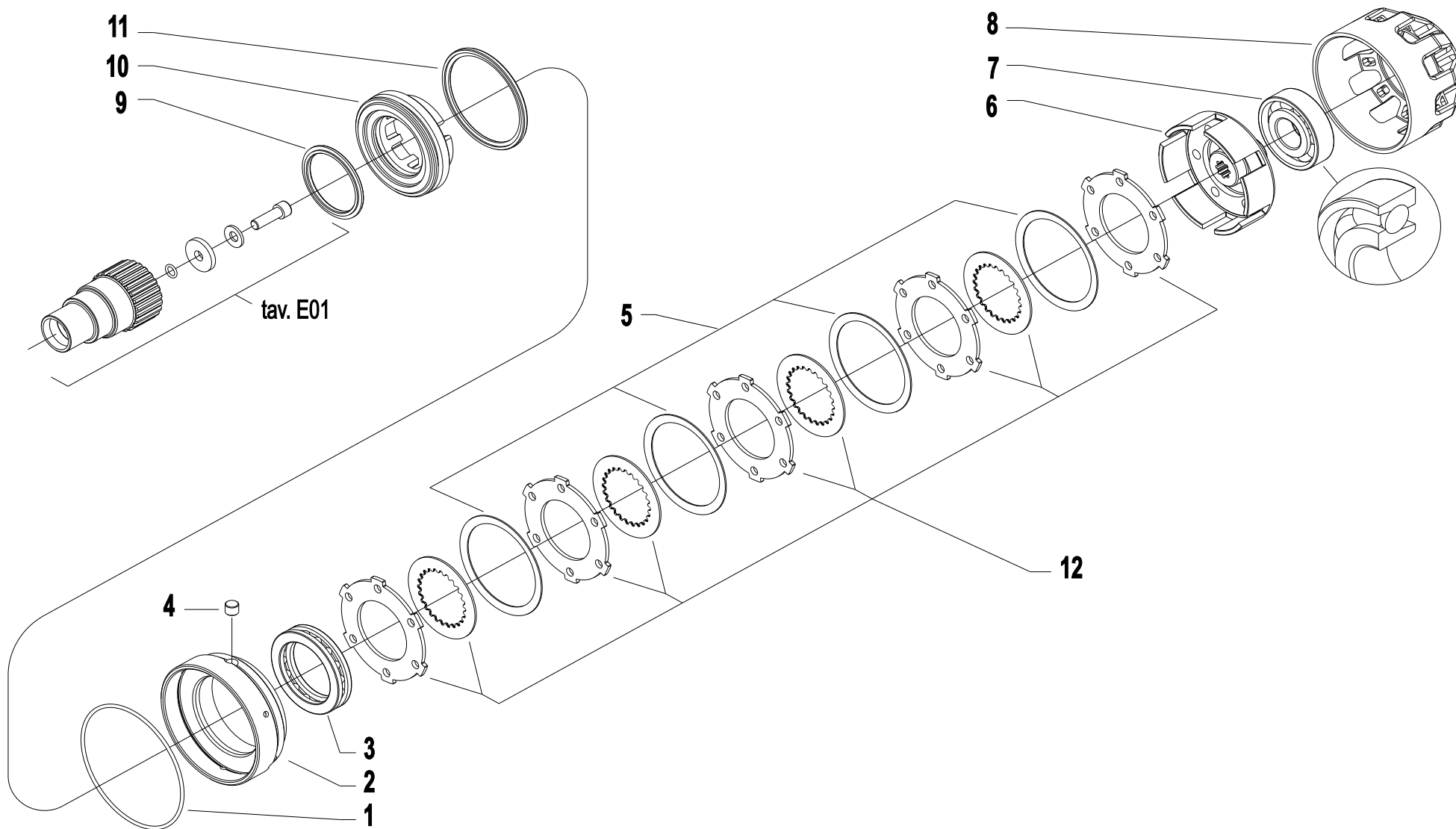
852604

C01

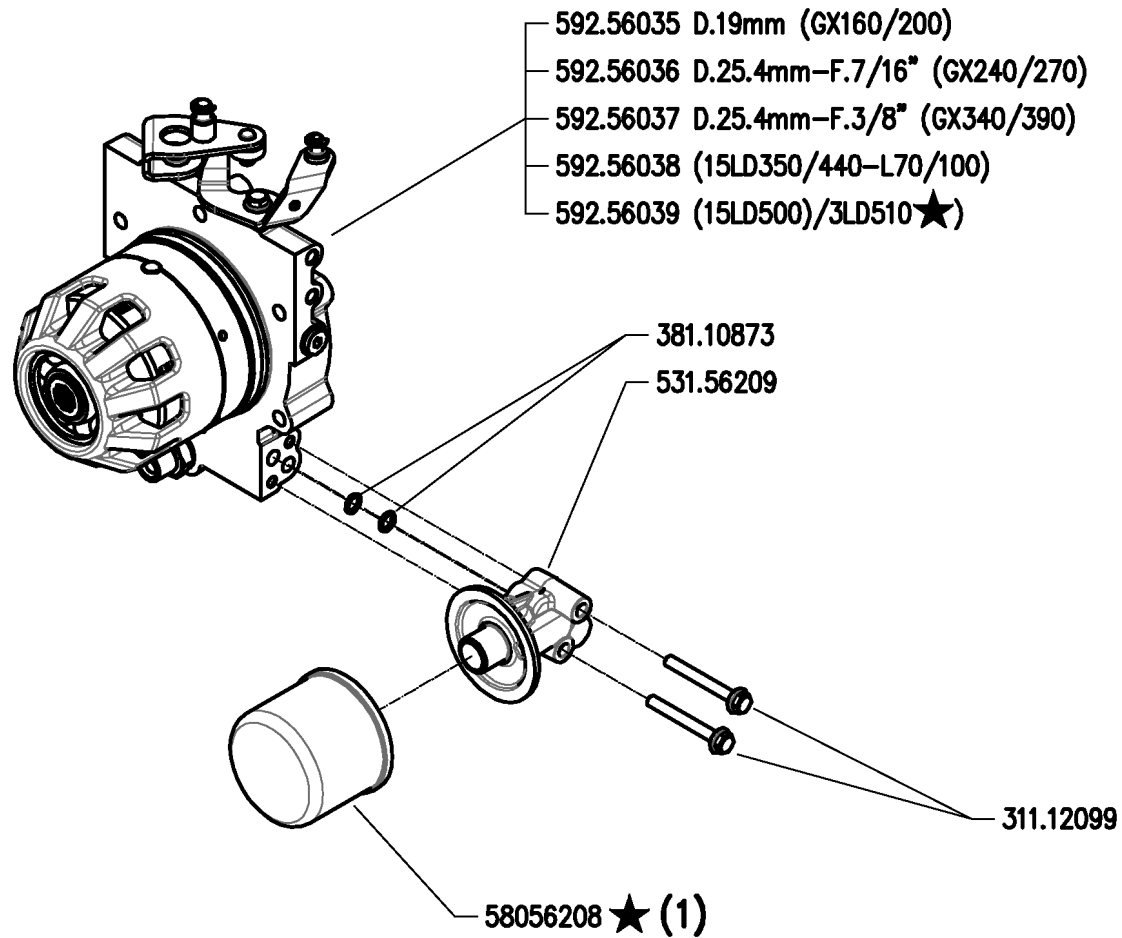
04/2010

Rev.
1

Pos.	Code	Q.ty	Description	Notes
37141253	37141253	1	BEARING	
37161500	37161500	1	BEARING	
38118859	38118859	1	O-RING	
38120500	38120500	1	RING	
38140850	38140850	1	RING	
52456694	52456694	1	FRICTION BELL	
53156210	53156210	1	SUMP	
53156218	53156218	1	PISTON	
56156247	56156247	1	PIN	
56356216	56356216	1	RING	
56556213	56556213	1	SPRING	
59256693	59256693	1	9 DISC CLUTCH	



Pos.	Code	Q.ty	Description	Notes
1	38118859	1	O-RING	
2	56356216	1	RING	
3	37161500	1	BEARING	
4	56156247	1	PIN	
5	56556213	1	SPRING	
6	52456694	1	FRICTION BELL	Replaces 56356212 + 56356215 + 52456211
7	37141253	1	BEARING	
8	53156210	1	SUMP	
9	38120500	1	RING	
10	53156218	1	PISTON	
11	38140850	1	RING	
12	59256693	1	9 DISC CLUTCH	Replaces 56356212 + 56356215 + 52456211



(1) sostituisce 580.56249



300 serie PS
PowerSafe®

GRUPPO E FILTRO POWERSAFE

POWERSAFE FILTER AND UNIT
FILTRO POWERSAFE

FILTRE POWERSAFE
POWERSAFE FILTER

DALLA MACCHINA
DE LA MAQUINA
DE LA MACHINA
FROM THE MACHINE
AB DER MASCHINE

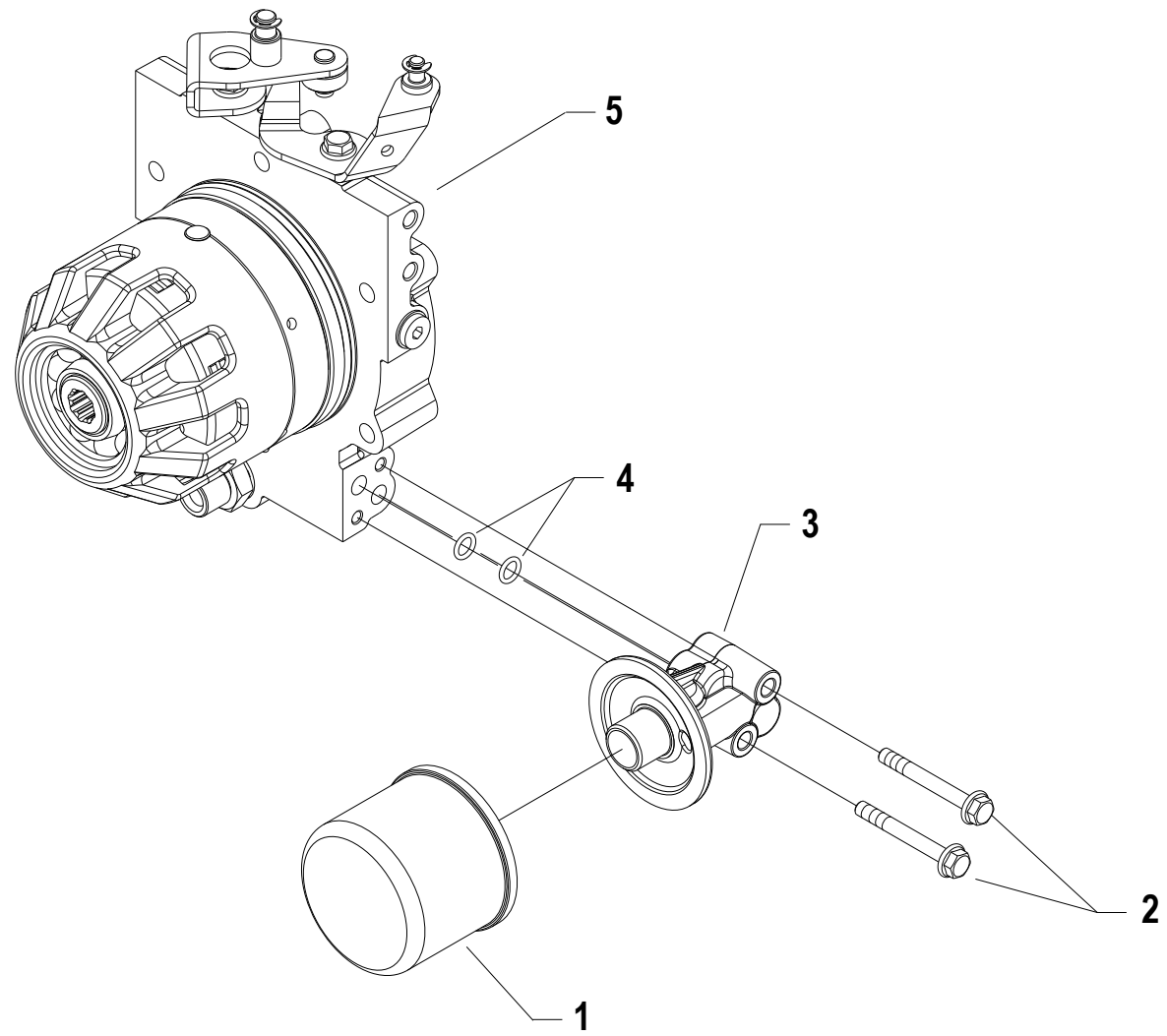
★ N.

AGGIORNAMENTO
APLAZAMIENTO
MISE A JOUR
REVISION
ANPASSUNG

Rev. 1
D01
11/2010

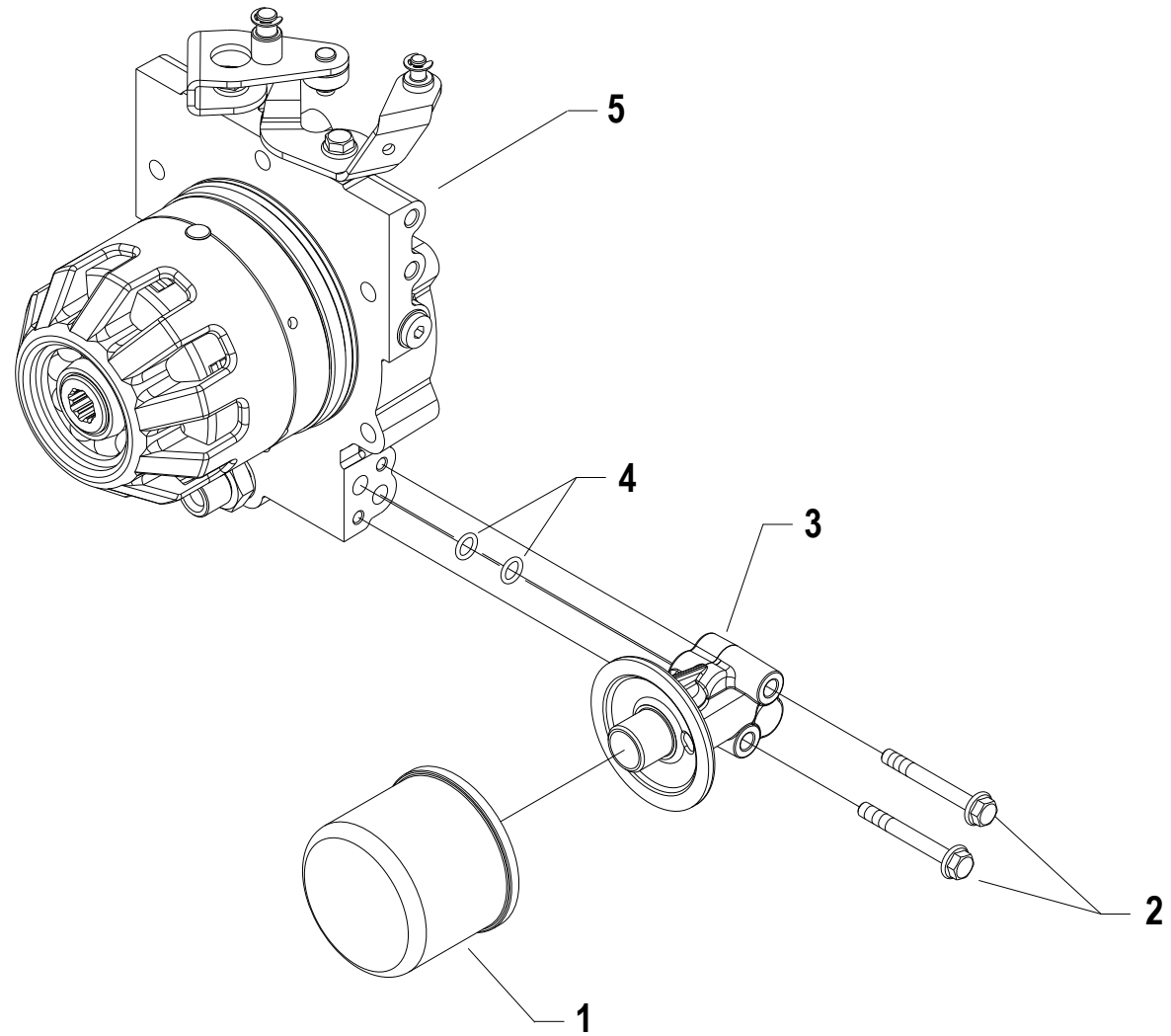
Pos.	Code	Q.ty	Description	Notes
31112099	31112099	1	SCREW TE C/F M6X50 DIN 6921 8G	
38110873	38110873	1	O-RING	
53156209	53156209	1	CONNECTION	
58056208	58056208	1	FILTER	
59256035	59256035	1	POWERSAFE CLUTCH ASSY Q19	
59256036	59256036	1	POWERSAFE CLUTCH	
59256037	59256037	1	CLUTCH FOR POWERSAFE Q25.4 (3/8)	
59256038	59256038	1	POWERSAFE CLUTCH	
59256039	59256039	1	POWERSAFE CLUTCH ASSY	

POWERSAFE FILTER UNIT

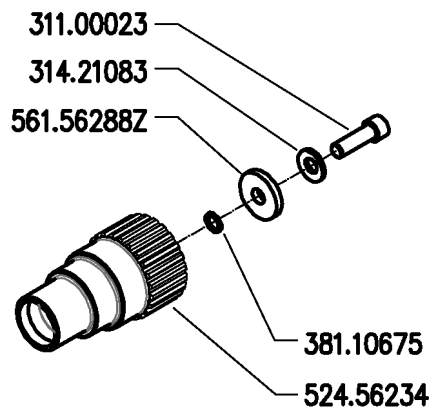


Pos.	Code	Q.ty	Description	Notes
1	58056208	1	FILTER	
2	31112099	1	SCREW TE C/F M6X50 DIN 6921 8G	
3	53156209	1	CONNECTION	
3	53156659	1	CONNECTION	Powersafe EasyDrive
4	38110873	1	O-RING	
5	59256035	1	POWERSAFE CLUTCH ASSY Q19	For motors GX160/200 - EX21
5	59256036	1	POWERSAFE CLUTCH	For motors GX240/270
5	59256037	1	CLUTCH FOR POWERSAFE Q25.4 (3/8)	For motors GX340/390 - EX35
5	59256038	1	POWERSAFE CLUTCH	For motors 15LD350/440-L70/100
5	59256039	1	POWERSAFE CLUTCH ASSY	For motors 15LD500/3LD510

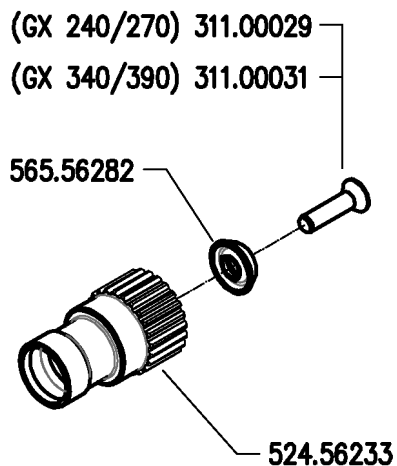
POWERSAFE FILTER UNIT



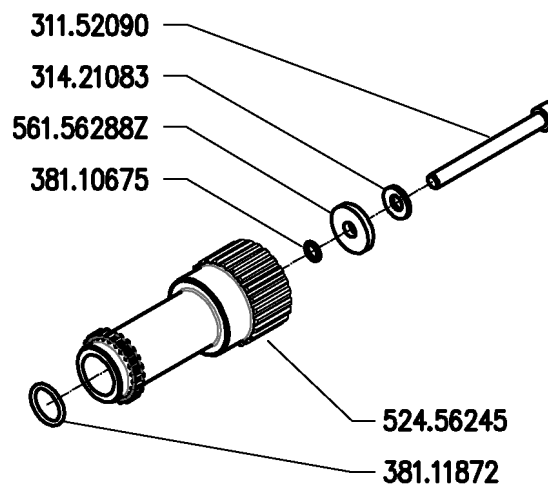
Pos.	Code	Q.ty	Description	Notes
1	58056208		FILTER	
2	31112099		SCREW TE C/F M6X50 DIN 6921 8G	
3	53156209		CONNECTION	
3	53156659		CONNECTION	
4	38110873		O-RING	
5	59256035		POWERSAFE CLUTCH ASSY Q19	GX160/200 - EX21 - GP160
5	59256036		POWERSAFE CLUTCH	GX240/270
5	59256037		CLUTCH FOR POWERSAFE Q25.4 (3/8)	GX340/390 - EX35
5	59256038		POWERSAFE CLUTCH	15LD350/440 - L70/100 - KD350 - KD440
5	59256039		POWERSAFE CLUTCH ASSY	15LD500/3LD510



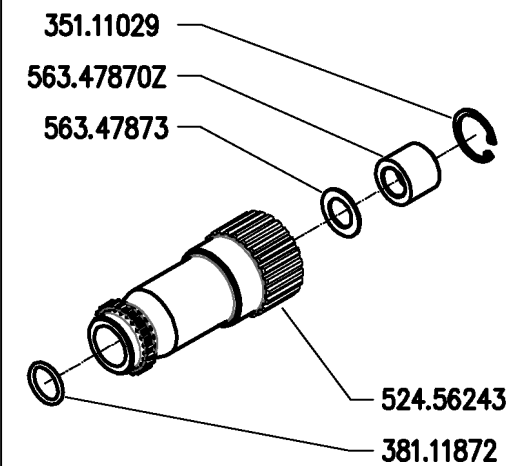
GX 160-200



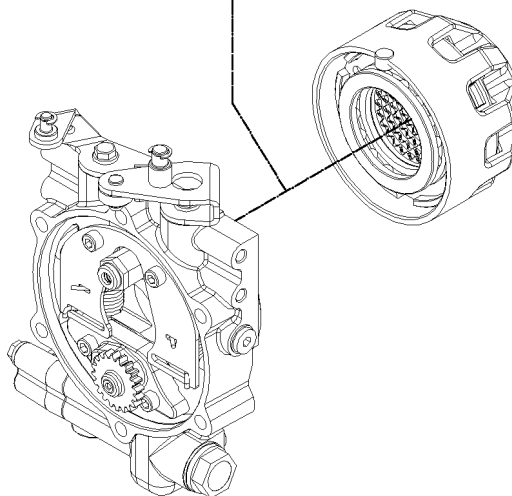
GX 240-270-340-390



15LD350-440 - L70-100



15LD500-3LD510 ★



300 serie PS
PowerSafe®

MOZZI FRIZIONE POWERSAFE

POWERSAFE CLUTCH HUBS
CUBOS EMBRAGUE POWERSAFE

MOYEURS EMBRAYAGE POWERSAFE
NABEN POWERSAFE KUPPLUNG

DALLA MACCHINA
DE LA MAQUINA
DE LA MACHINA
FROM THE MACHINE
AB DER MASCHINE



AGGIORNAMENTO
APLAZAMIENTO
MISE A JOUR
REVISION
ANPASSUNG

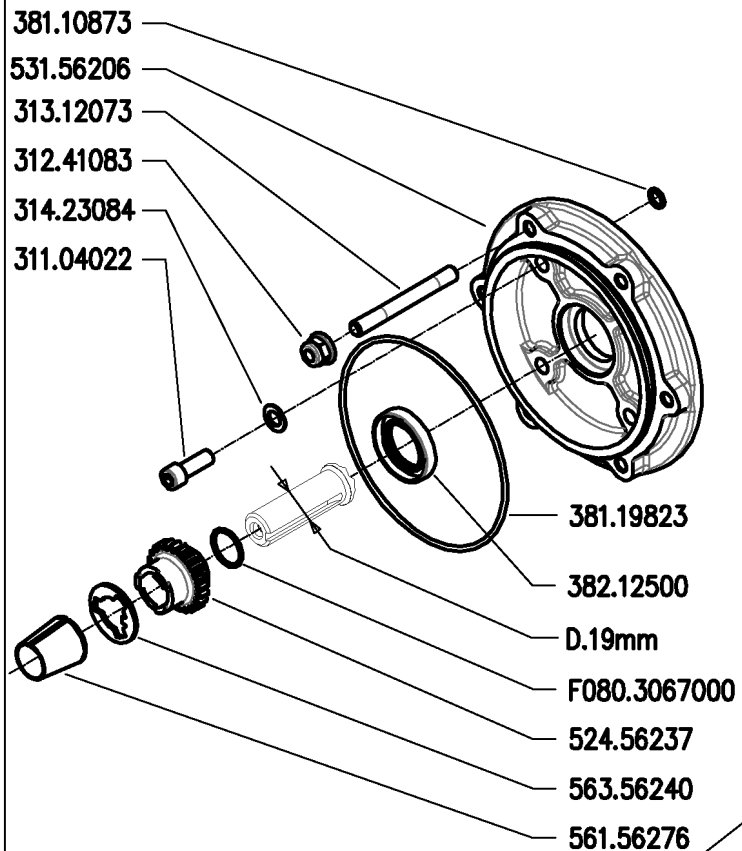
E01

11/2010

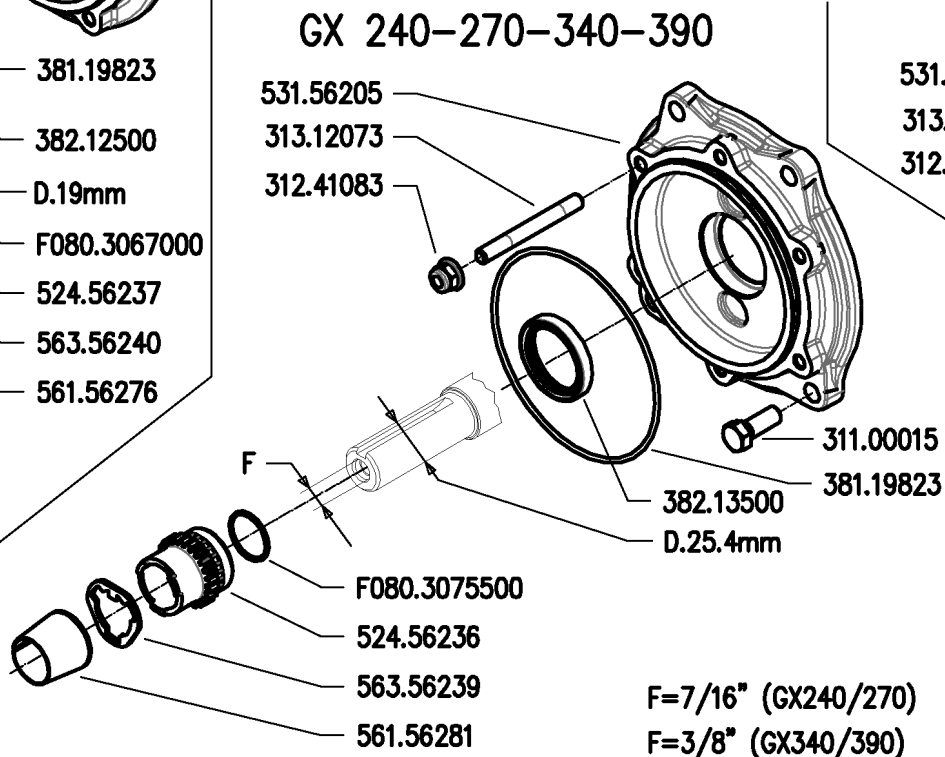
Rev.

1

Pos.	Code	Q.ty	Description	Notes
31100023	31100023	1	SCREW 5/16-24	
31100029	31100029	1	SCREW TSVEI 7/16-20X1 1/2 UNF8G	
31100031	31100031	1	SCREW TSVEI 3/8-24X1 1/2 UNF 8G	
31152090	31152090	1	SCREW TCEI M8x80 UNI5931	
31421083	31421083	1	WASHER	
35111029	35111029	1	SEEGER RING	
38110675	38110675	1	O-RING	
38111872	38111872	1	O-RING	
52456233	52456233	1	HUB	
52456234	52456234	1	HUB	
52456243	52456243	1	HUB	
52456245	52456245	1	HUB	
56347873	56347873	1	WASHER	
56556282	56556282	1	WASHER D.25,4	
56156288	56156288Z	1	SPECIAL WASHER SP.4	
56347870	56347870Z	1	SPECIAL NUT	



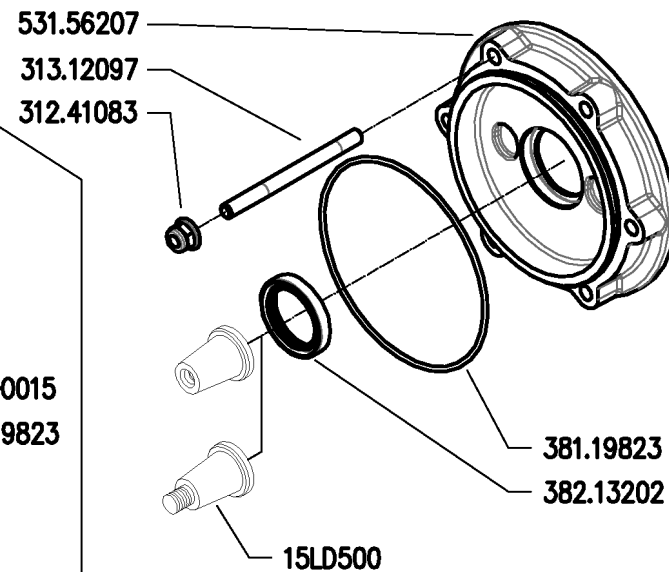
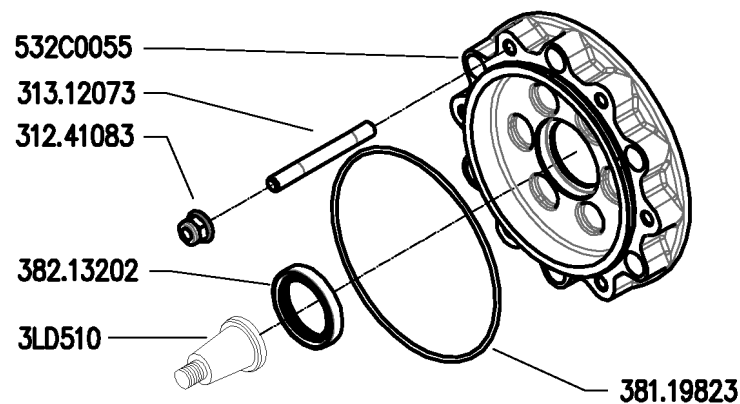
GX 160-200



GX 240-270-340-390

F=7/16" (GX240/270)
F=3/8" (GX340/390)

★ 3LD510



15LD350-440-500
L70-100



300 serie PS
PowerSafe®

ENGINE FLANGES

BRIDAS MOTOR

FLANGIE MOTORE

BRIDES MOTEUR

MOTOR FLANSCH

DALLA MACCHINA
DE LA MAQUINA
DE LA MACHINA
FROM THE MACHINE
AB DER MASCHINE

★ N.

AGGIORNAMENTO
APLAZAMIENTO
MISE A JOUR
REVISION
ANPASSUNG

F01

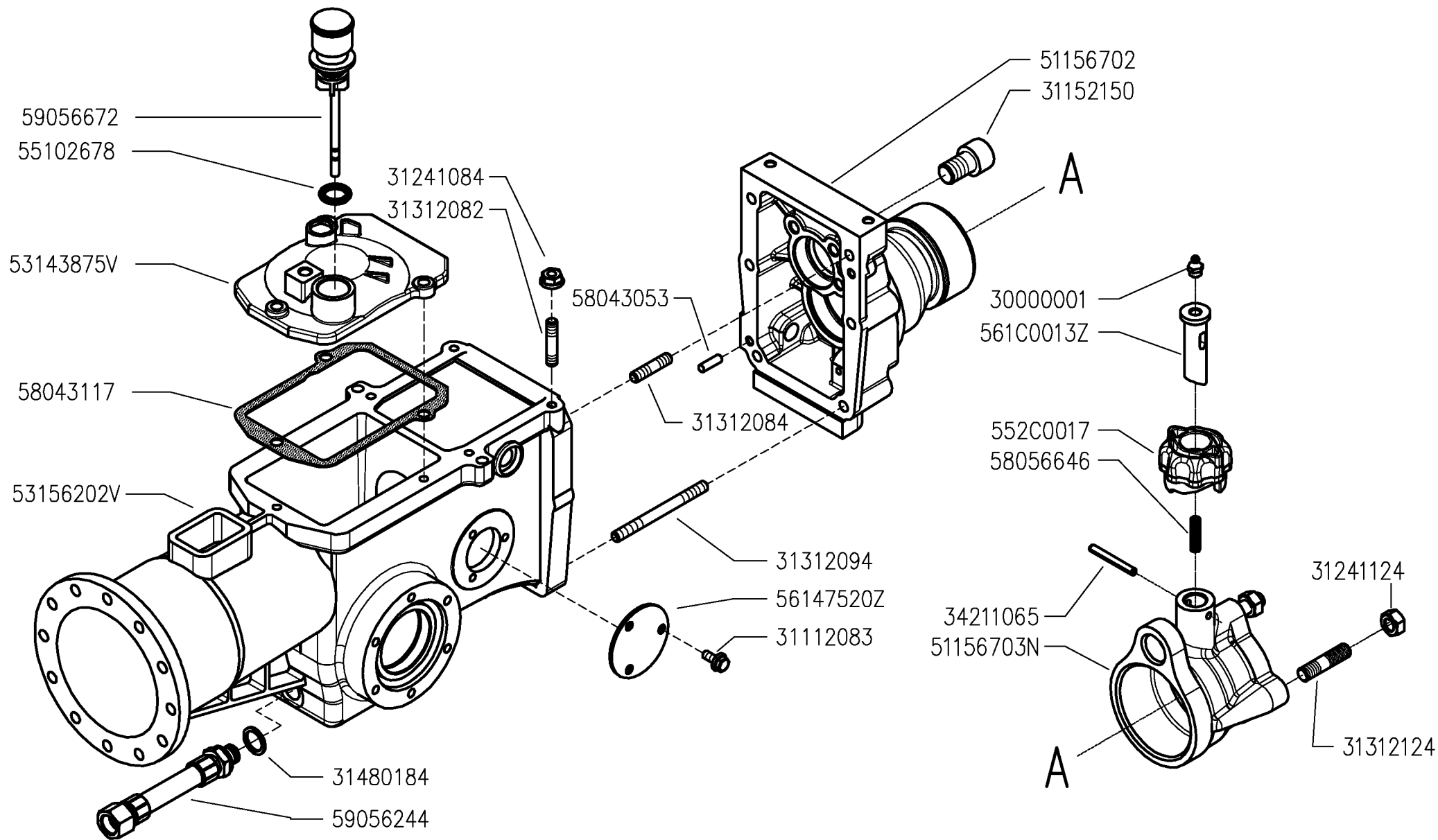
11/2010

Rev.

1

DITE.BCS - Scala 1:6

Pos.	Code	Q.ty	Description	Notes
31100015	31100015	1	SCREW TE 3/8X1	
31104022	31104022	1	SCREW TCEI 5/16X7/8 UNF 12K	
31241083	31241083	1	SELFLOCK NUT M8	
31312073	31312073	1	STUD BOLT	
31312097	31312097	1	STUD BOLT	
31423084	31423084	1	SPRING WASHER 8,4	
38110873	38110873	1	O-RING	
38119823	38119823	1	O-RING	
38212500	38212500	1	OIL SEAL 25X40X7	
38213202	38213202	1	OIL SEAL 32X45X7	
38213500	38213500	1	OIL SEAL 35X47X7	
52456236	52456236	1	PUMP GEAR	
52456237	52456237	1	PUMP GEAR	
53156205	53156205	1	ENGINE FLANGE	
53156206	53156206	1	ENGINE FLANGE	
53156207	53156207	1	ENGINE FLANGE	
532C0055	532C0055	1	ACT ENGINE FLANGE	
56156276	56156276	1	SLEEVE	
56156281	56156281	1	CENTRING BUSH	
56356239	56356239	1	FEEDER Q25	
56356240	56356240	1	TRANSMISSION	
F0803067	F0803067000	1	O-RING	
F0803075	F0803075500	1	O-RING	



300 serie PS
PowerSafe®

GEARBOX
CAJA DE CAMBIO

SCATOLA CAMBIO
(360)

BOITE DE VITESSES
WECHSELGETRIEBE

DALLA MACCHINA
DE LA MAQUINA
DE LA MACHINA
FROM THE MACHINE
AB DER MASCHINE

N.

G03

11/2010

Rev. 0

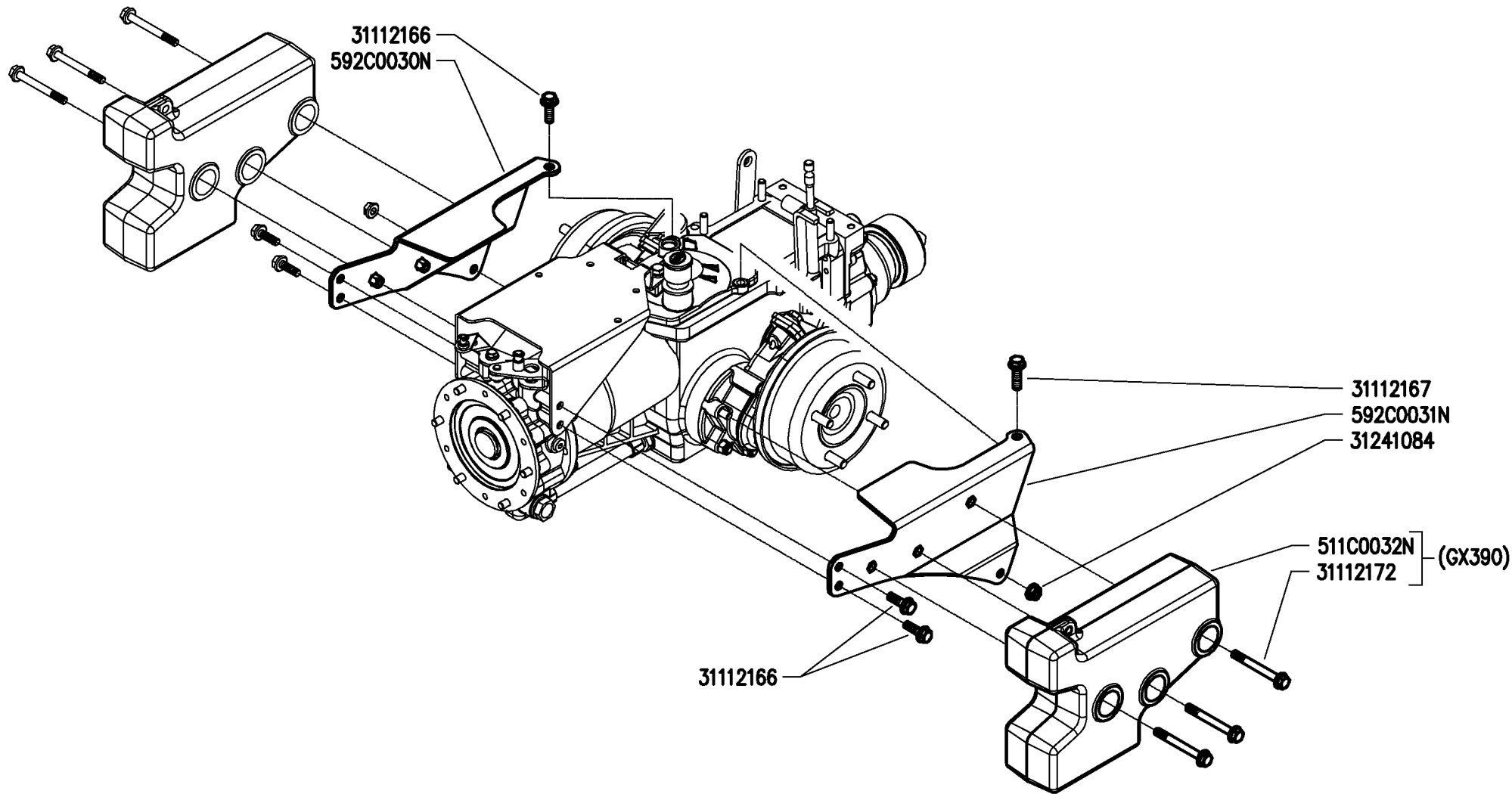
Pos.	Code	Q.ty	Description	Notes
30000001	30000001	1	LUBRICATOR M10	
31112083	31112083	1	SCREW M6X12	
31152150	31152150	1	SCREW TCEI M16X25 UNI 5931	
31241084	31241084	1	SELFLOCK NUT M8 6S	
31241124	31241124	1	SELFLOCK NUT M12x1,25	
31312082	31312082	1	STUD BOLT M8X38X14X20	
31312084	31312084	1	STUD BOLT M8X58X16X16	
31312094	31312094	1	STUD BOLT M8X68X14X36	
31312124	31312124	1	STUD BOLT	
31480184	31480184	1	COPPER WASHER 16,7x22/1,5	
34211065	34211065	1	ROLL PIN	
51156702	51156702	1	REAR COVER	
55102678	55102678	1	RUBBER RING	
552C0017	552C0017	1	KNOB	
58043053	58043053	1	CYLINDRICAL PLUG	
58043117	58043117	1	COVER GASKET	
58056646	58056646	1	SPRING	
59056244	59056244	1	SUCTION PIPE	
59056672	59056672	1	OIL LEVEL CAP W/SHAFT	
51156703	51156703N	1	THREE-POINT LINKAGE	
53143875	53143875V	1	GEARBOX HOUSING COVER	
53156202	53156202V	1	BOX CASING	
56147520	56147520Z	1	COVER	
561C0013	561C0013Z	1	STAKE	

SERIAL

GEARBOX (360)

CODE REV

G03_0_77436



300 serie PS
PowerSafe®

FARINGS
CARENADOS

CARENATURE (360)

CARENAGES
VERKLEIDUNGEN

DALLA MACCHINA
DE LA MAQUINA
DE LA MAQUINA
FROM THE MACHINE
AB DER MASCHINE

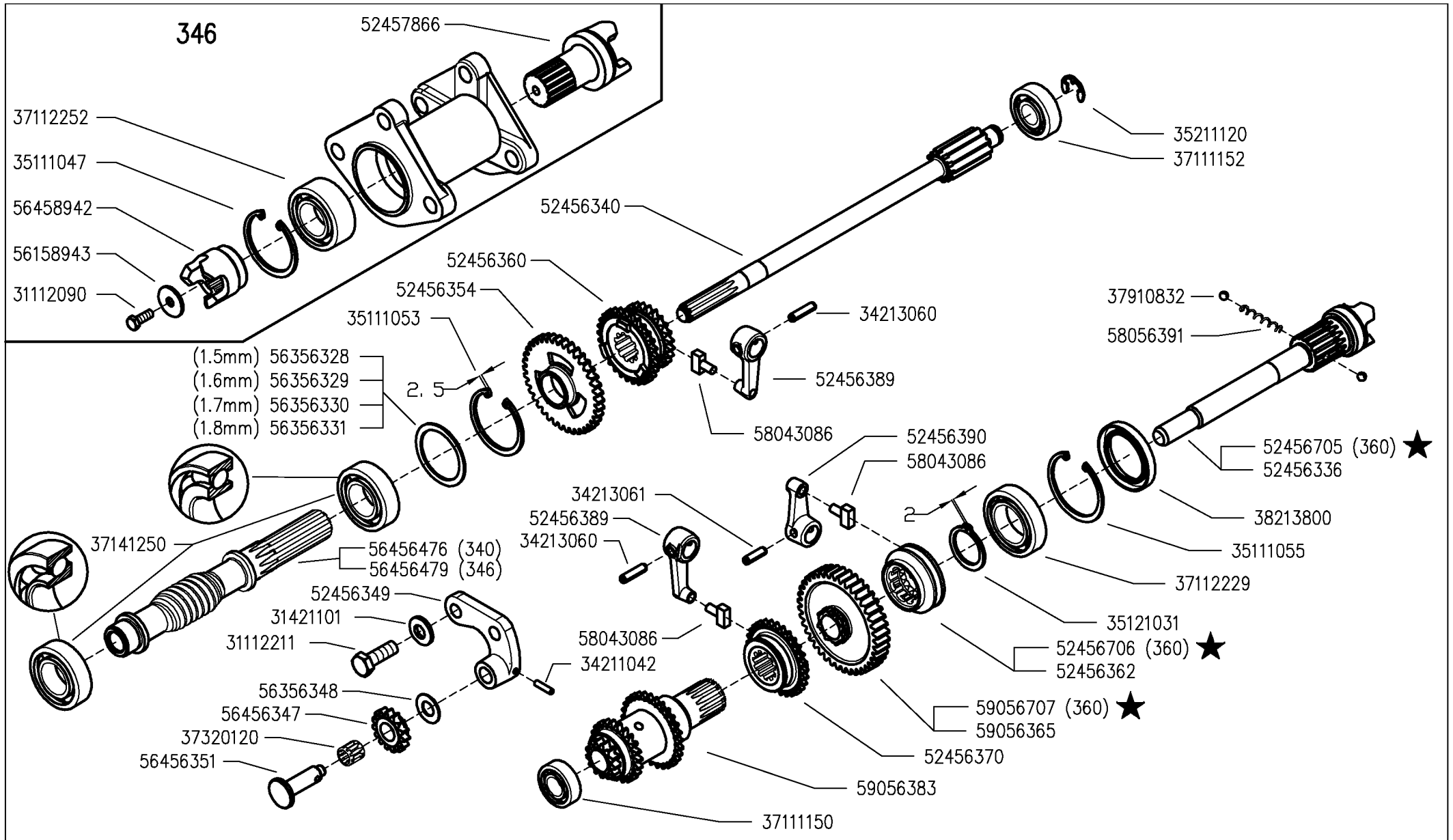
N.

G04 0

11/2010

Rev.

Pos.	Code	Q.ty	Description	Notes
31112166	31112166	1	SCREW TE C/F M8X25 DIN 6921 8G	
31112167	31112167	1	SCREW TE C/F M8X30 DIN 6921 8G	
31112172	31112172	1	SCREW TE C/F M8X70 DIN 6921	
31241084	31241084	1	SELFLOCK NUT M8 6S	
511C0032	511C0032N	1	BALLAST	
592C0030	592C0030N	1	SHEET	
592C0031	592C0031N	1	SHEET	



300 serie PS
PowerSafe®

GEARS
ENGRANAJES

INGRANAGGI CAMBIO
(340-346-360 ★)

ENGRANAGES
ZÄHNRÄDER

DALLA MACCHINA
DE LA MAQUINA
DE LA MACHINA
FROM THE MACHINE
AB DER MASCHINE

★ N.

AGGIORNAMENTO
APLAZAMIENTO
MISE A JOUR
REVISION
ANPASSUNG

H03
1
11/2010

Rev.

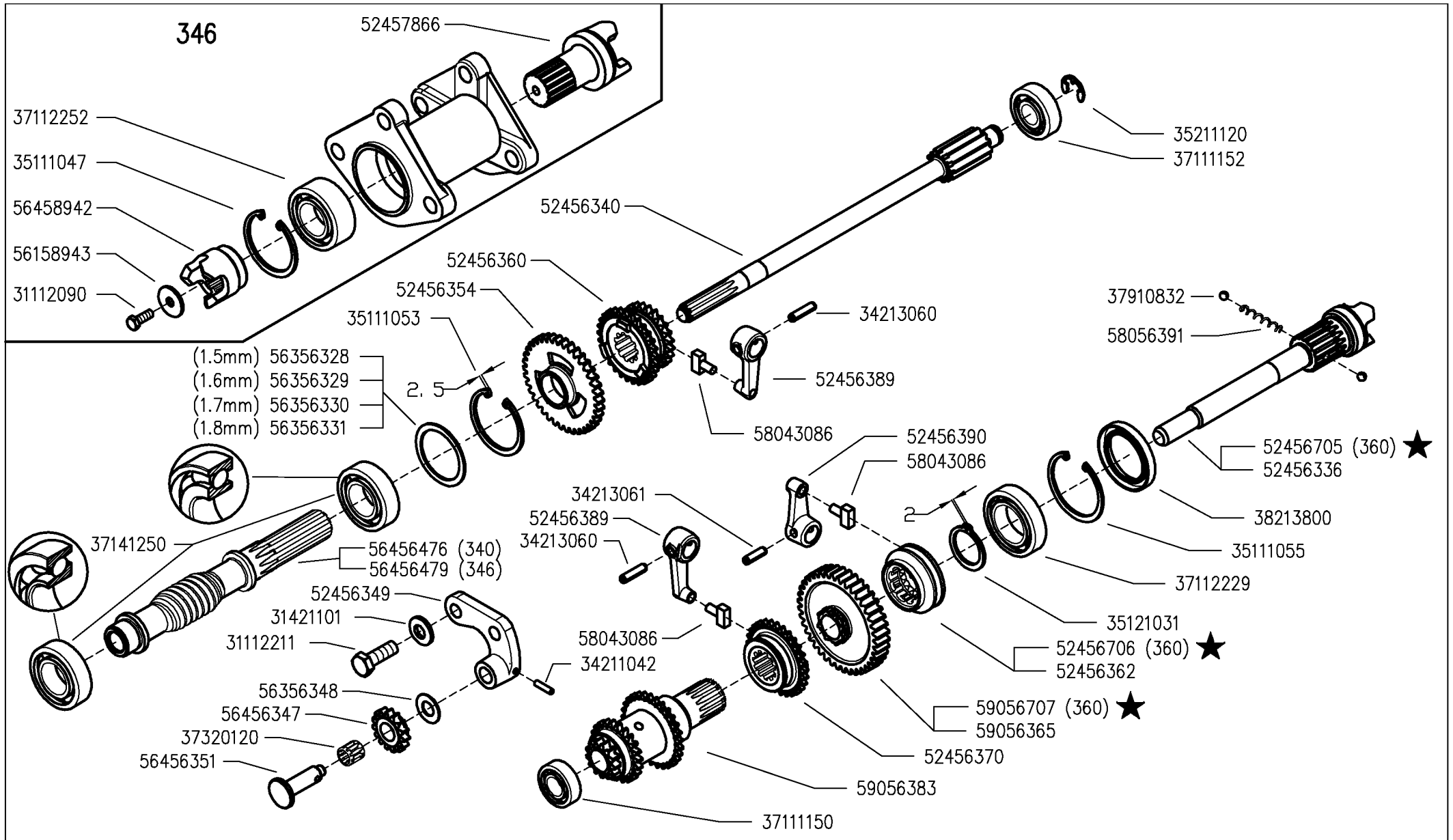
Pos.	Code	Q.ty	Description	Notes
31112090	31112090	1	SCREW TE M6X16 UNI 5739 8G	
31112211	31112211	1	SCREW TE M10X30 UNI 5739	
31421101	31421101	1	WASHER	
34211042	34211042	1	ROLL PIN	
34213060	34213060	1	ROLL PIN	
34213061	34213061	1	ROLL PIN	
35111047	35111047	1	SEEGER RING	
35111053	35111053	1	SEEGER RING I 52 UNI 7438	
35111055	35111055	1	SEEGER RING	
35121031	35121031	1	SEEGER RING	
35211120	35211120	1	SEEGER RING	
37111150	37111150	1	BEARING	
37111152	37111152	1	BEARING	
37112229	37112229	1	BEARING	
37112252	37112252	1	BEARING	
37141250	37141250	1	BEARING	
37320120	37320120	1	ROLLER CAGE 12X15/10	
37910832	37910832	1	BALL 1/4	
38213800	38213800	1	OIL SEAL 38X55X7	
52456336	52456336	1	PTO SHAFT	
52456340	52456340	1	SHAFT	
52456349	52456349	1	GEAR SUPPORT	
52456354	52456354	1	GEAR	
52456360	52456360	1	SLIDER	
52456362	52456362	1	COUPLING	
52456370	52456370	1	SLIDER	
52456389	52456389	1	LEVER	
52456390	52456390	1	LEVER	
52456705	52456705	1	PTO SHAFT	
52456706	52456706	1	PTO COUPLING	
52457866	52457866	1	SHAFT	
56158943	56158943	1	WASHER 7,0x25/2	
56356328	56356328	1	ADJUSTING RING SP=1,5	
56356329	56356329	1	ADJUSTING RING SP=1,6	

SERIAL

H03_01 - GEARS

CODE REV

H03_1_77469



300 serie PS
PowerSafe®

GEARS
ENGRANAJES

INGRANAGGI CAMBIO
(340-346-360 ★)

ENGRANAGES
ZÄHNRÄDER

DALLA MACCHINA
DE LA MAQUINA
DE LA MACHINA
FROM THE MACHINE
AB DER MASCHINE

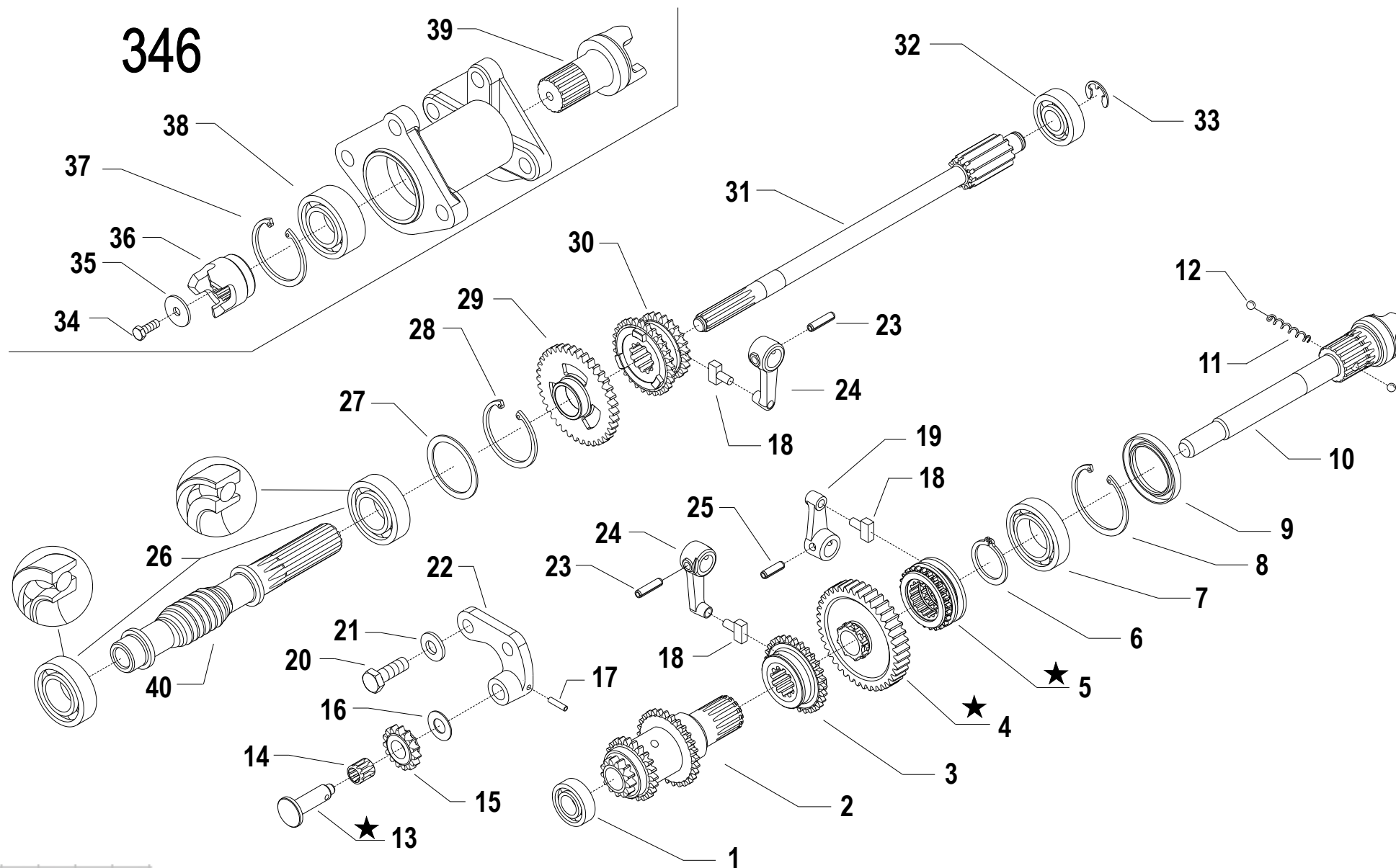
★ N.

AGGIORNAMENTO
APLAZAMIENTO
MISE A JOUR
REVISION
ANPASSUNG

H03
1
11/2010

Rev.

Pos.	Code	Q.ty	Description	Notes
56356330	56356330	1	ADJUSTING RING SP=1,7	
56356331	56356331	1	ADJUSTING RING SP=1,8	
56356348	56356348	1	ADJUSTING RING	
56456347	56456347	1	GEAR	
56456351	56456351	1	GEAR PIN	
56456476	56456476	1	SCREW	
56456479	56456479	1	SCREW	
56458942	56458942	1	COUPLING	
58043086	58043086	1	SHOE	
58056391	58056391	1	SPRING	
59056365	59056365	1	PTO GEAR	
59056383	59056383	1	TRIPLE GEAR	
59056707	59056707	1	PTO GEAR	



i = info - stop 2 sec. ★ = new part

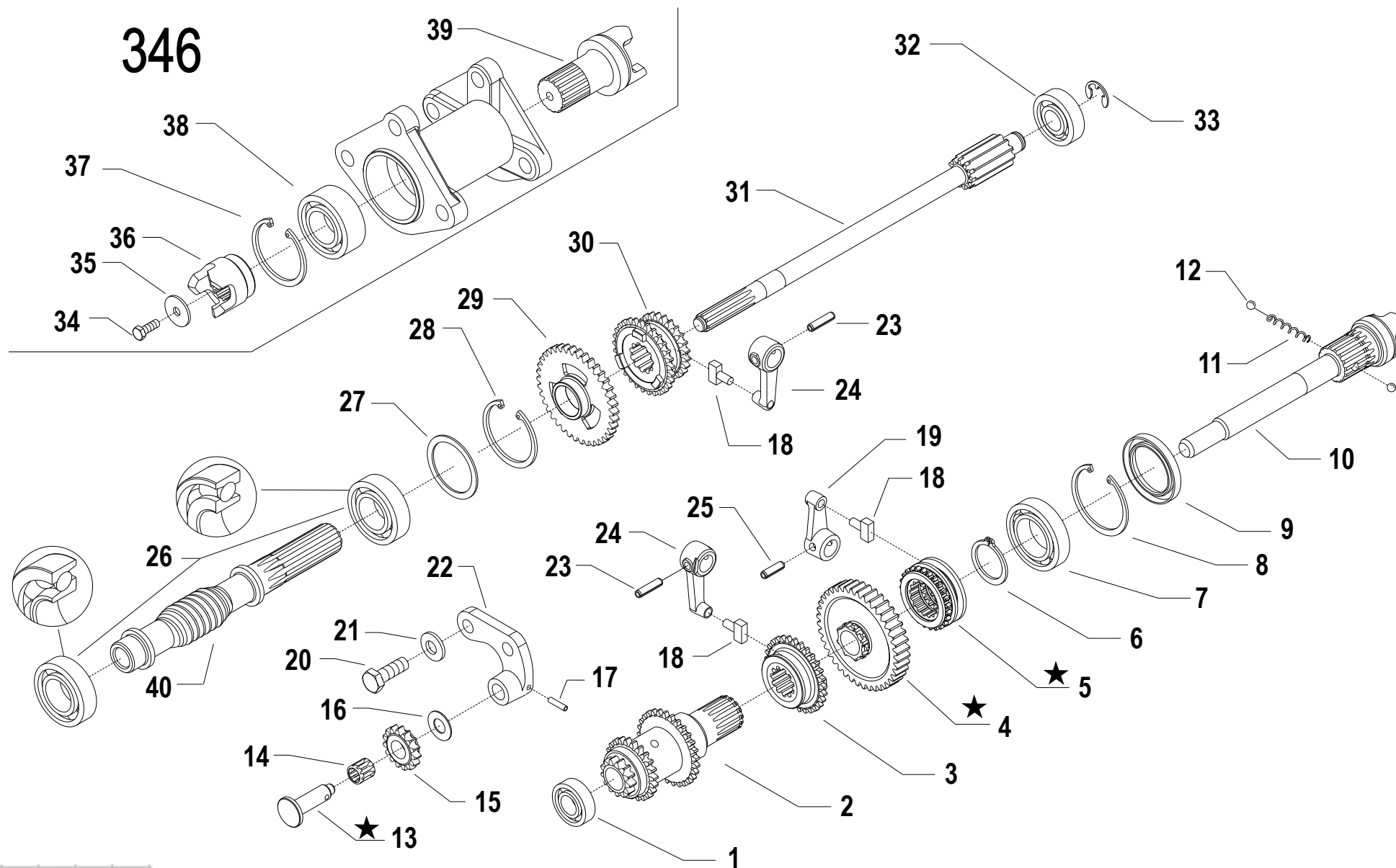
Pos.	Code	Q.ty	Description	Notes
1	37111150		BEARING	
2	59056383		TRIPLE GEAR	
3	52456370		SLIDER	
4	59056707		PTO GEAR	Replaces 59056365 + 52456362 from serial 863327 for 340-346
5	52456706		PTO COUPLING	Replaces 59056365 + 52456362 from serial 863327 for 340-346
6	35121031		SEEGER RING	
7	37112229		BEARING	
8	35111055		SEEGER RING	
9	38213800		OIL SEAL 38X55X7	
10	52456336		PTO SHAFT	
10	52456705		PTO SHAFT	For Model 360
11	58056391		SPRING	
12	37910832		BALL 1/4	
13	56456736		GEAR PIN	replaces 56456351
14	37320120		ROLLER CAGE 12X15/10	
15	56456347		GEAR	
16	56356348		ADJUSTING RING	
17	34211042		ROLL PIN	
18	58043086		SHOE	
19	52456390		LEVER	
20	31112211		SCREW TE M10X30 UNI 5739	
21	31421101		WASHER	
22	52456349		GEAR SUPPORT	
23	34213060		ROLL PIN	
24	52456389		LEVER	
25	34213061		ROLL PIN	
26	37141250		BEARING	
27	56356328		ADJUSTING RING SP=1,5	
27	56356329		ADJUSTING RING SP=1,6	
27	56356330		ADJUSTING RING SP=1,7	
27	56356331		ADJUSTING RING SP=1,8	
28	35111053		SEEGER RING I 52 UNI 7438	
29	52456354		GEAR	
30	52456360		SLIDER	

SERIAL

H03_02 - GEARS

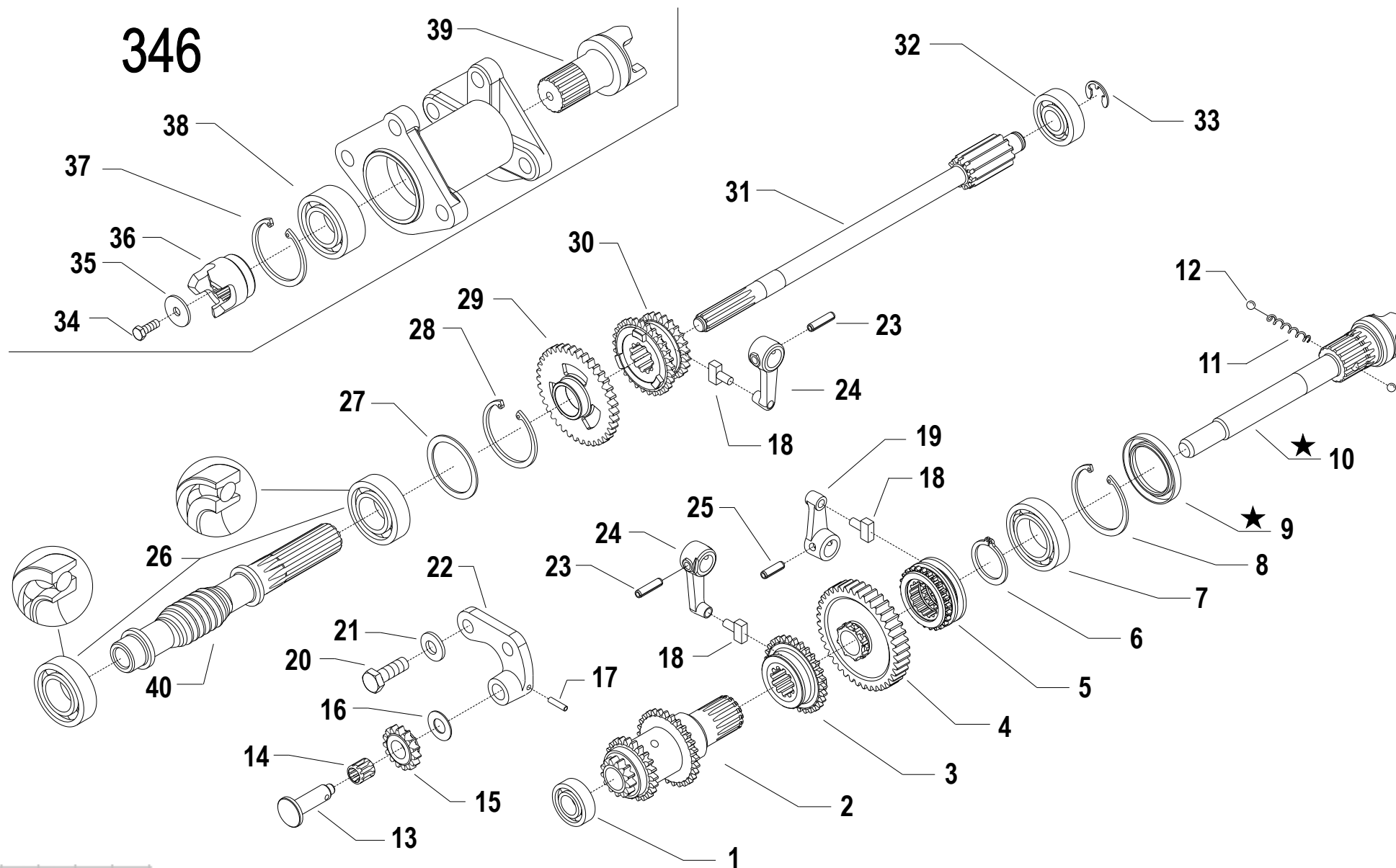
CODE REV

H.03.02.A0003_02



i = info - stop 2 sec. ★ = new part

Pos.	Code	Q.ty	Description	Notes
31	52456340		SHAFT	
32	37111152		BEARING	
33	35211120		SEEGER RING	
34	31112090		SCREW TE M6X16 UNI 5739 8G	
35	56158943		WASHER 7,0x25/2	
36	56458942		COUPLING	
37	35111047		SEEGER RING	
38	37112252		BEARING	
39	52457866		SHAFT	
40	56456476		SCREW	For Model 340
40	56456479		SCREW	For Model 346



i = info - stop 2 sec. ★ = new part

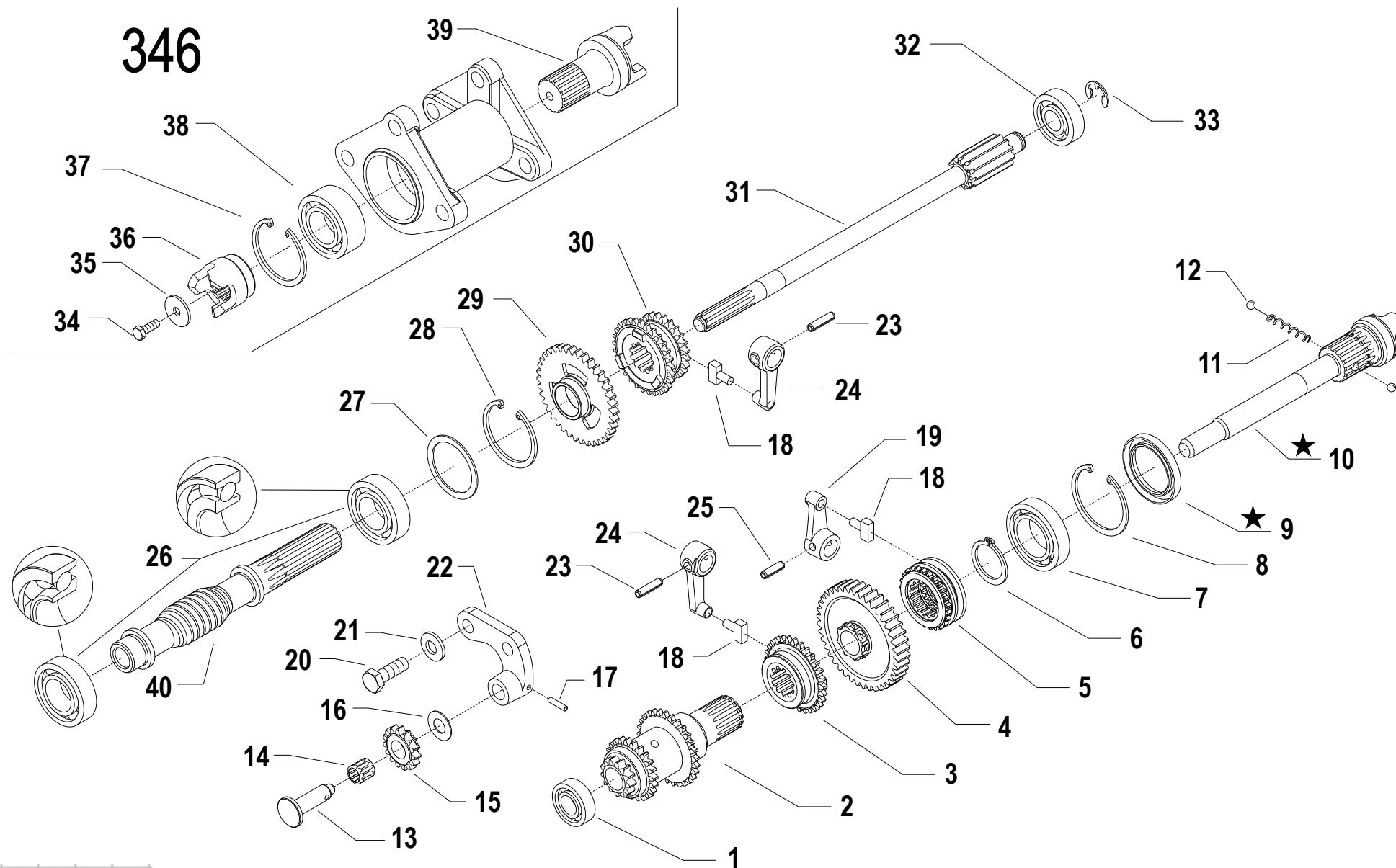
Pos.	Code	Q.ty	Description	Notes
1	37111150		BEARING	
2	59056383		TRIPLE GEAR	
3	52456370		SLIDER	
4	59056707		PTO GEAR	
5	52456706		PTO COUPLING	
6	35121031		SEEGER RING	
7	37112229		BEARING	
8	35111055		SEEGER RING	
9	38213800		OIL SEAL 38X55X7	
9	38214207		OIL SEAL	REPLACES 52456705 + 38213800 FOR MODEL 360
10	52456336		PTO SHAFT	
10	52456713		PTO SHAFT	REPLACES 52456705 + 38213800 FOR MODEL 360
11	58056391		SPRING	
12	37910832		BALL 1/4	
13	56456736		GEAR PIN	
14	37320120		ROLLER CAGE 12X15/10	
15	56456347		GEAR	
16	56356348		ADJUSTING RING	
17	34211042		ROLL PIN	
18	58043086		SHOE	
19	52456390		LEVER	
20	31112211		SCREW TE M10X30 UNI 5739	
21	31421101		WASHER	
22	52456349		GEAR SUPPORT	
23	34213060		ROLL PIN	
24	52456389		LEVER	
25	34213061		ROLL PIN	
26	37141250		BEARING	
27	56356328		ADJUSTING RING SP=1,5	
27	56356329		ADJUSTING RING SP=1,6	
27	56356330		ADJUSTING RING SP=1,7	
27	56356331		ADJUSTING RING SP=1,8	
28	35111053		SEEGER RING I 52 UNI 7438	
29	52456354		GEAR	

SERIAL
START
976612

H03_03 - GEARS

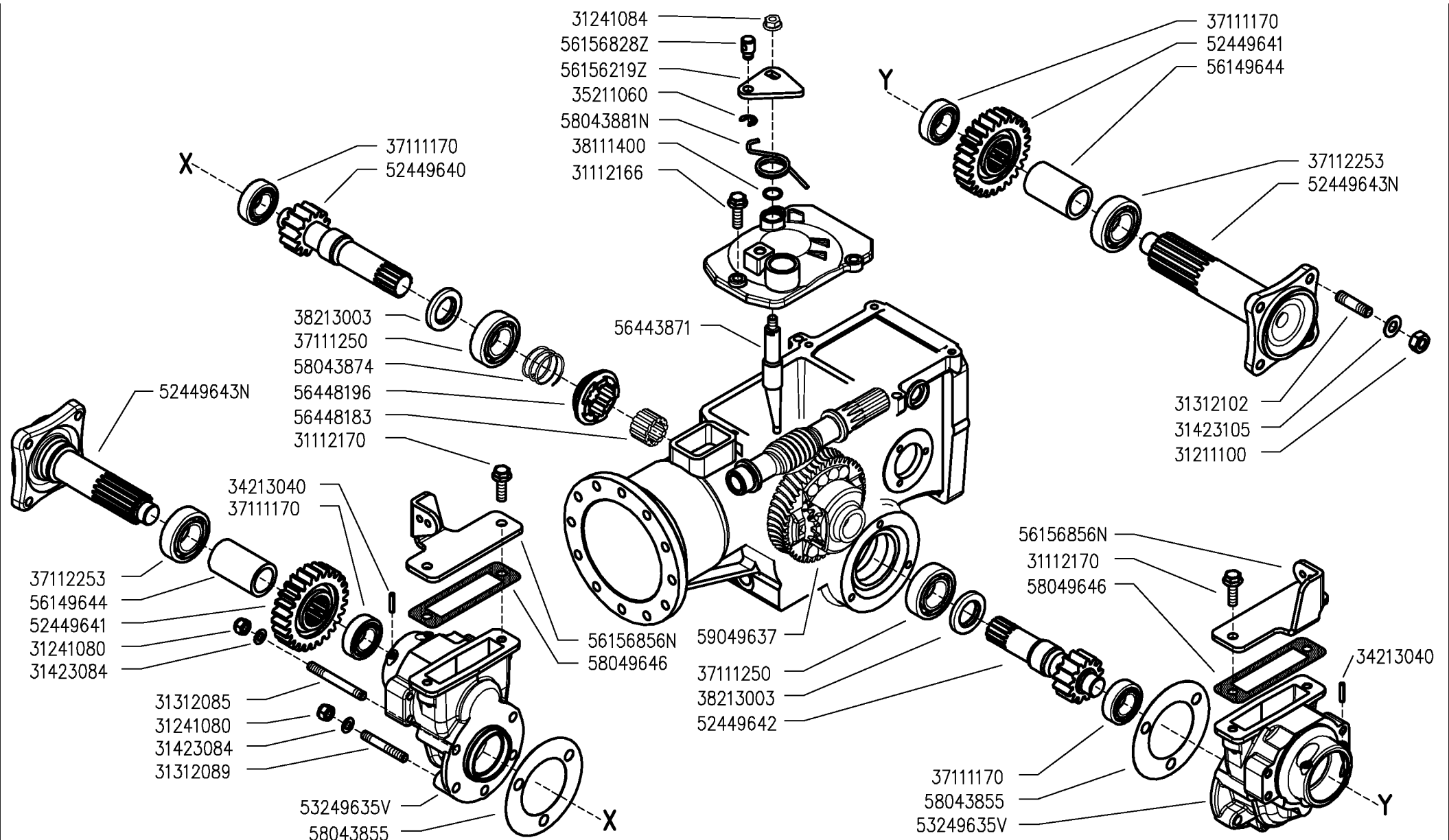
CODE REV

H.03.02.A0003_03



i = info - stop 2 sec. ★ = new part

Pos.	Code	Q.ty	Description	Notes
30	52456360		SLIDER	
31	52456340		SHAFT	
32	37111152		BEARING	
33	35211120		SEEGER RING	
34	31112090		SCREW TE M6X16 UNI 5739 8G	
35	56158943		WASHER 7,0x25/2	
36	56458942		COUPLING	
37	35111047		SEEGER RING	
38	37112252		BEARING	
39	52457866		SHAFT	
40	56456476		SCREW	340
40	56456479		SCREW	346



300 serie PS
PowerSafe®

WHEELS AXLE
EJE RUEDAS

ASSE RUOTE
(346-360★)

ESSIEUS ROUES
RÄDACHSE

DALLA MACCHINA
DE LA MAQUINA
DE LA MACHINA
FROM THE MACHINE
AB DER MASCHINE

★ N.

AGGIORNAMENTO
APLAZAMIENTO
MISE A JOUR
REVISION
ANPASSUNG

I04

11/2010

Rev.

1

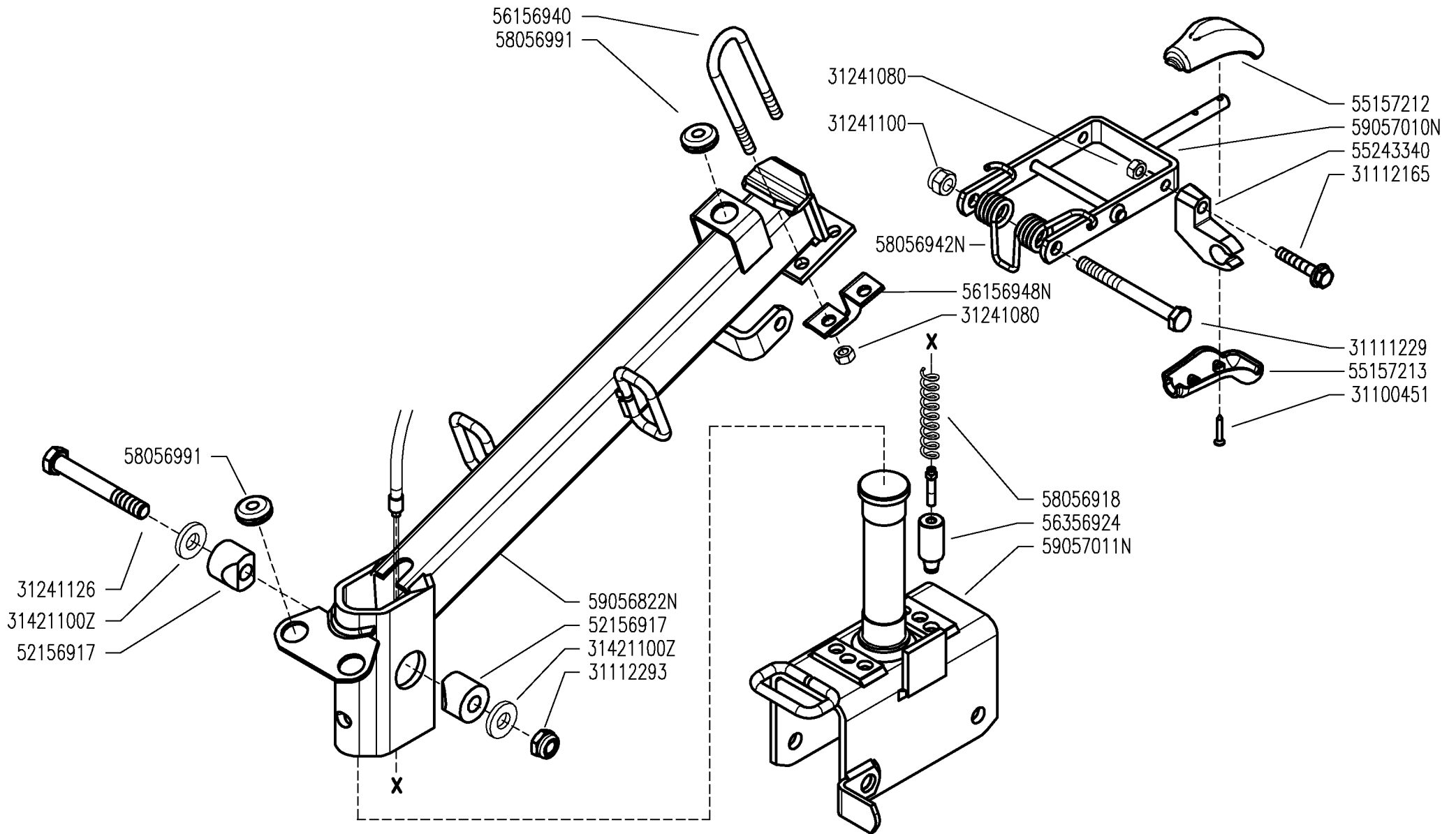
Pos.	Code	Q.ty	Description	Notes
31112166	31112166	1	SCREW TE C/F M8X25 DIN 6921 8G	
31112170	31112170	1	SCREW TE C/F M8X20 DIN 6921	
31211100	31211100	1	NUT M10	
31241080	31241080	1	HEXAGON SELFLOCK NUT M8	
31241084	31241084	1	SELFLOCK NUT M8 6S	
31312085	31312085	1	STUD BOLT M8X80X28X16	
31312089	31312089	1	STUD BOLT M8x52x14x18	
31312102	31312102	1	STUD BOLT M10X40X24X12	
31423084	31423084	1	SPRING WASHER 8,4	
31423105	31423105	1	SPRING WASHER 10,5	
34213040	34213040	1	ROLL PIN	
35211060	35211060	1	SEEGER RING	
37111170	37111170	1	BEARING	
37111250	37111250	1	BEARING	
37112253	37112253	1	BEARING	
38111400	38111400	1	O-RING	
38213003	38213003	1	OIL SEAL 30X47X7	
52449640	52449640	1	REDUCTION SHAFT	
52449641	52449641	1	GEAR	
52449642	52449642	1	REDUCTION SHAFT	
56149644	56149644	1	SPACER	
56443871	56443871	1	ROD	
56448183	56448183	1	SPACER	
56448196	56448196	1	COUPLING	
58043855	58043855	1	GASKET	
58043874	58043874	1	SPRING	
58049646	58049646	1	COVER GASKET	
59049637	59049637	1	DIFFERENTIAL GEAR	
52449643	52449643N	1	AXLE SHAFT	
53249635	53249635V	1	REDUCTION BOX	
56156219	56156219Z	1	LEVER	
56156828	56156828Z	1	STOP	
56156856	56156856N	1	STOP	
58043881	58043881N	1	SPRING	

SERIAL

I04_1 - WHEELS AXLE

CODE REV

I04_1_77517



300 serie PS
PowerSafe®

STEERING COLUMN
COLUMNA

PIANTONE
(340-346-360 ★)

PLANTON
LENKSÄULE

DALLA MACCHINA
DE LA MAQUINA
DE LA MACHINA
FROM THE MACHINE
AB DER MASCHINE

★N.

AGGIORNAMENTO
APLAZAMIENTO
MISE A JOUR
REVISION
ANPASSUNG

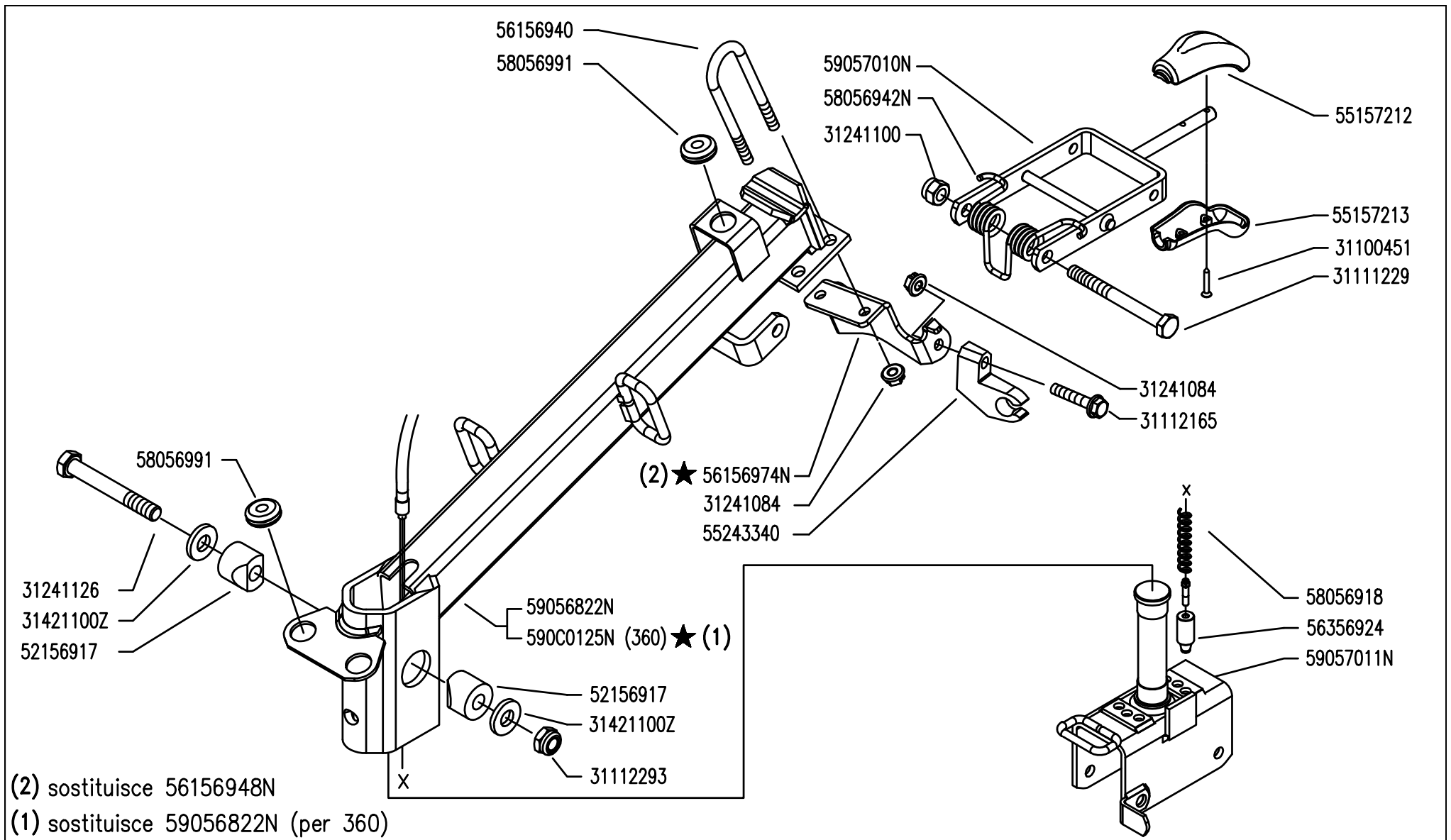
J03

11/2010

Rev.

1

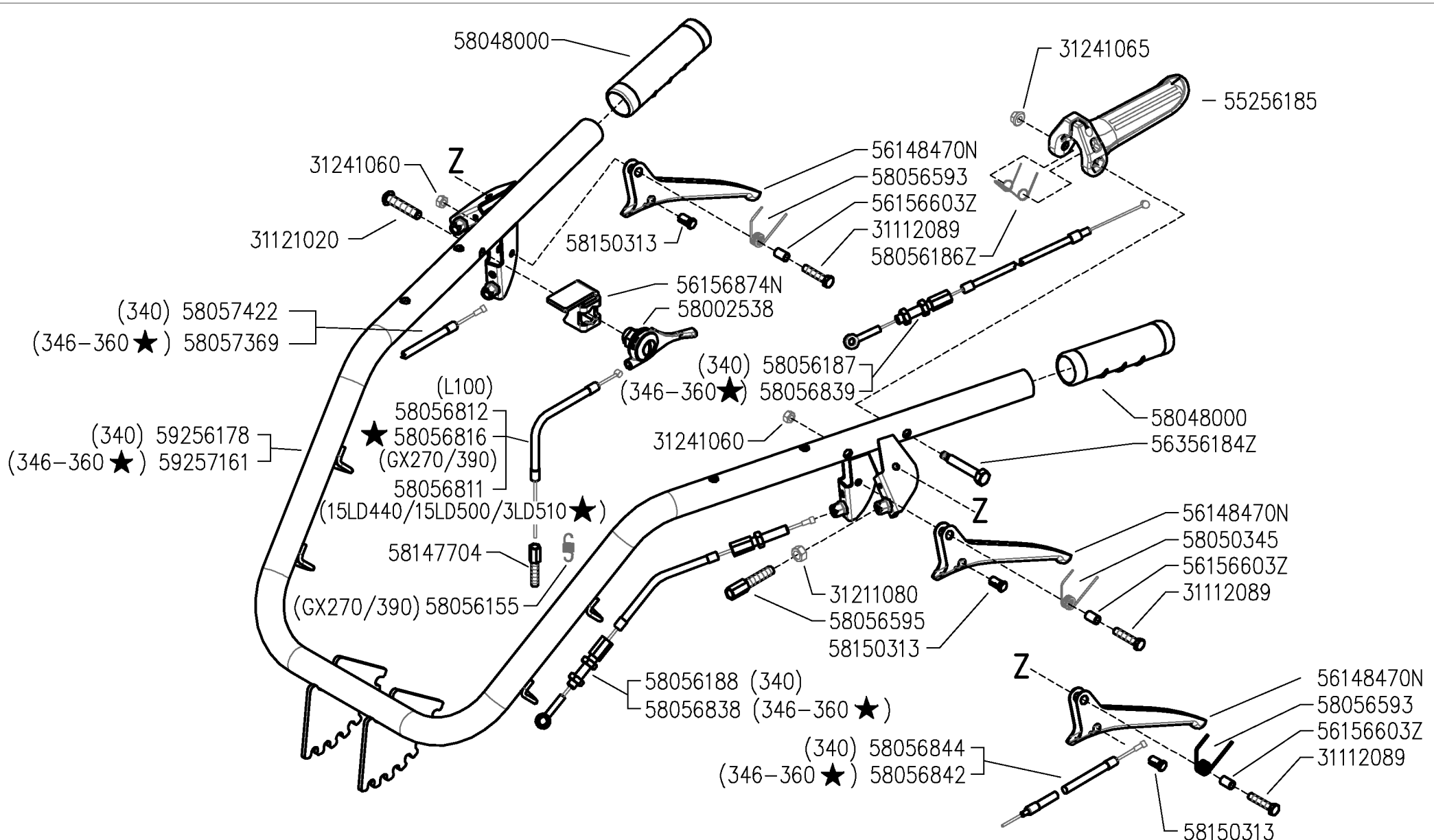
Pos.	Code	Q.ty	Description	Notes
31100451	31100451	1	SCREW 3,5X25	
31111229	31111229	1	SCREW TE M10X110 UNI 5737 8G	
31112165	31112165	1	SCREW TE C/F M8X35 DIN 6921 8G	
31112293	31112293	1	SCREW TE M12X80 UNI 5737	
31241080	31241080	1	HEXAGON SELFLOCK NUT M8	
31241100	31241100	1	SELFLOCK HEXAGON NUT M10	
31241126	31241126	1	SELFLOCK NUT M12	
52156917	52156917	1	WEDGE	
55157212	55157212	1	GRIP	
55157213	55157213	1	GRIP	
55243340	55243340	1	SUPPORT	
56156940	56156940	1	U BOLT	
56356924	56356924	1	FERRULE	
58056918	58056918	1	SPRING	
58056991	58056991	1	CABLE GLAND	
31421100	31421100Z	1	CUP SPRING	
56156948	56156948N	1	STOP	
58056942	58056942N	1	SPRING	
59056822	59056822N	1	COLUMN	
59057010	59057010N	1	LEVER	
59057011	59057011N	1	CONNECTION	



(2) sostituisce 56156948N
 (1) sostituisce 59056822N (per 360)

	300 serie PS PowerSafe®	STEERING COLUMN COLUMNA	PIANTONE (340-346-360)	PLANTON LENKSÄULE	DALLA MACCHINA DE LA MAQUINA DE LA MACHINE FROM THE MACHINE AB DER MASCHINE ★ N.	<input type="text"/>	J03	Rev. 2
						<input type="text"/>		
						901936		

Pos.	Code	Q.ty	Description	Notes
31100451	31100451	1	SCREW 3,5X25	
31111229	31111229	1	SCREW TE M10X110 UNI 5737 8G	
31112165	31112165	1	SCREW TE C/F M8X35 DIN 6921 8G	
31112293	31112293	1	SCREW TE M12X80 UNI 5737	
31241084	31241084	1	SELFLOCK NUT M8 6S	
31241100	31241100	1	SELFLOCK HEXAGON NUT M10	
31241126	31241126	1	SELFLOCK NUT M12	
55157212	55157212	1	GRIP	
55157213	55157213	1	GRIP	
55243340	55243340	1	SUPPORT	
56156940	56156940	1	U BOLT	
56356924	56356924	1	FERRULE	
58056918	58056918	1	SPRING	
58056991	58056991	1	CABLE GLAND	
31421100	31421100Z	1	CUP SPRING	
56156974	56156974N	1	SUPPORT	Sostituisce 56156948N
58056942	58056942N	1	SPRING	
59056822	59056822N	1	COLUMN	
59057010	59057010N	1	LEVER	
59057011	59057011N	1	CONNECTION	
590C0125	590C0125N	1	COLUMN	



300 serie PS
PowerSafe®

HANDLEBAR
MANILLAR

MANUBRIO
(340-346-360 ★)

MANCHERON
LINCHER

DALLA MACCHINA
DE LA MAQUINA
DE LA MACHINA
FROM THE MACHINE
AB DER MASCHINE

★ N.

AGGIORNAMENTO
APLAZAMIENTO
MISE A JOUR
REVISION
ANPASSUNG

K03 1

11/2010

Rev.

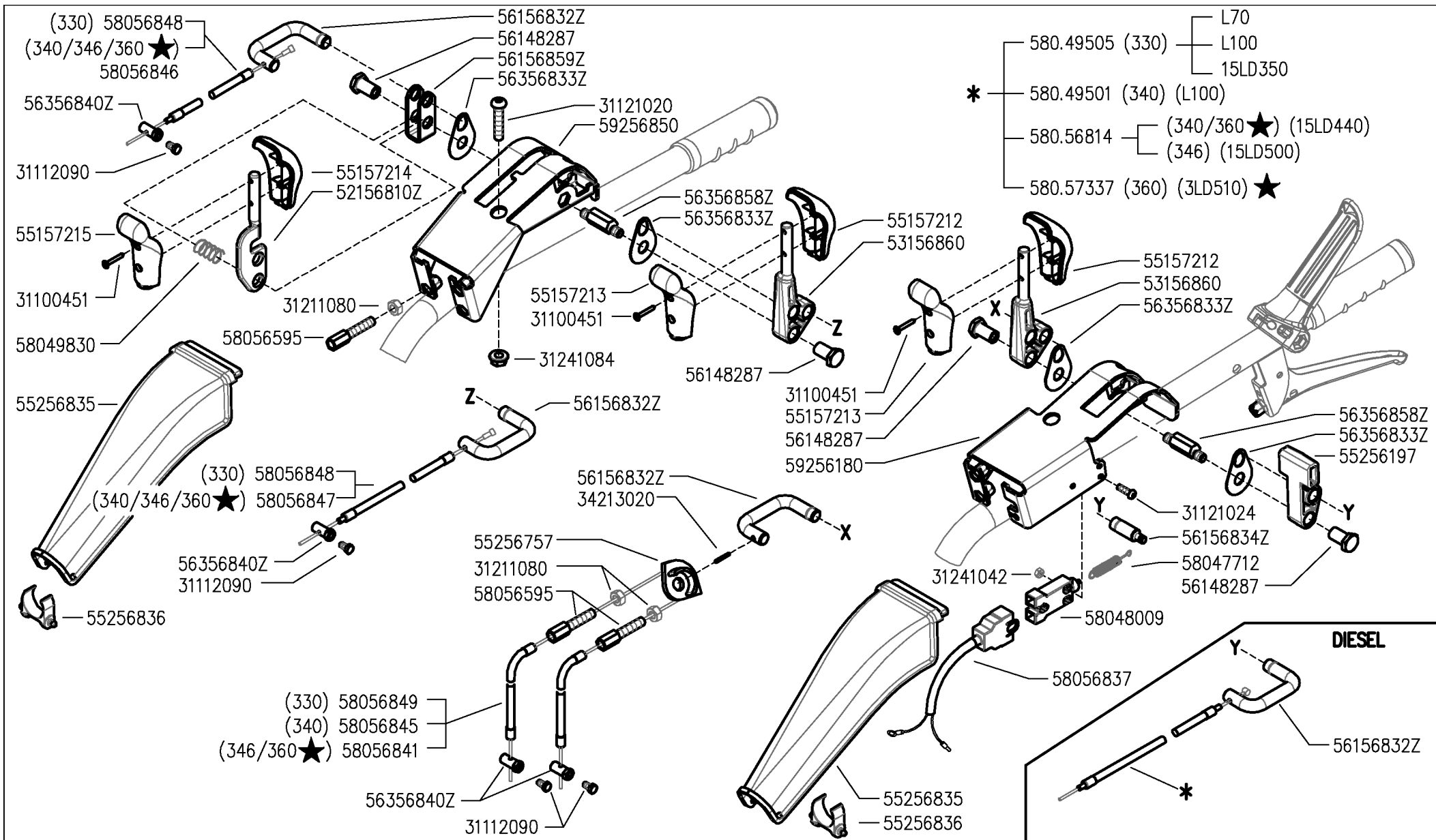
Pos.	Code	Q.ty	Description	Notes
31112089	31112089	1	SCREW TE M6X25 UNI 5739 8G	
31121020	31121020	1	SCREW TBCEI M8X40 ISO7380 10K Z	
31211080	31211080	1	NUT M8	
31241060	31241060	1	HEXAGON SELFLOCK NUT M6	
31241065	31241065	1	SELFLOCK NUT M6	
55256185	55256185	1	LEVER	
58002538	58002538	1	COMMAND LEVER	
58048000	58048000	1	KNOB	
58050345	58050345	1	SPRING	
58056155	58056155	1	RESTORING SPRING	Utilizzato con motore GX270
58056187	58056187	1	LINE	
58056188	58056188	1	LINE	
58056593	58056593	1	SPRING	
58056595	58056595	1	ADJUSTING SCREW	
58056811	58056811	1	LINE AND SHEATH	
58056812	58056812	1	LINE AND SHEATH	
58056816	58056816	1	LINE AND SHEATH	
58056838	58056838	1	LINE	
58056839	58056839	1	LINE	
58056842	58056842	1	LINE AND SHEATH	
58056844	58056844	1	LINE AND SHEATH	
58057369	58057369	1	TRANSMISSION	
58057422	58057422	1	COLUMN UNLOCKING TRANSMISSION	
58147704	58147704	1	ADJUSTING SCREW	
58150313	58150313	1	CABLE CLAMP	
59256178	59256178	1	HANDLE BAR	
59257161	59257161	1	HANDLE BAR	
56148470	56148470N	1	LEVER	
56156603	56156603Z	1	SPACER	
56156874	56156874N	1	PANEL	
56356184	56356184Z	1	LEVER PIN	
58056186	58056186Z	1	SPRING	

SERIAL

K03_01 - HANDLEBAR (340_346_360)

CODE REV

K03_1_77574



300 serie PS
PowerSafe®

HANDLEBAR CONTROLS

CONTROLES EN EL MANILLAR

COMANDI SUL MANUBRIO

(330-340-346-360 ★)

CONTROLES SUR LE MANCHERON

KONTROLLEN AM LINCHER

DALLA MACCHINA
DE LA MAQUINA
DE LA MAQUINA
FROM THE MACHINE
AB DER MASCHINE

★ N.

AGGIORNAMENTO

APLAZAMIENTO

MISE A JOUR

REVISION

ANPASSUNG

L03

11/2010

Rev.

1

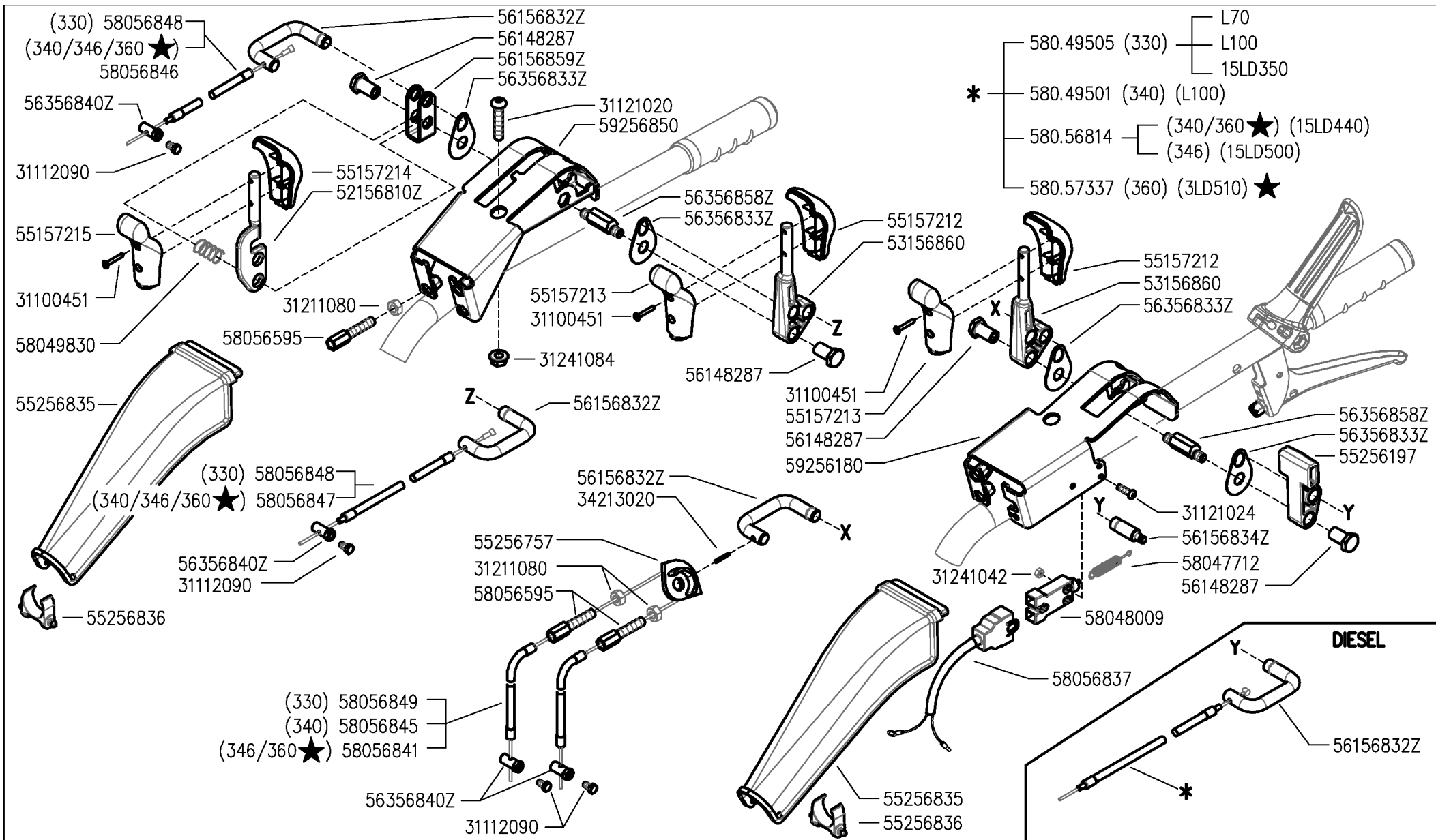
Pos.	Code	Q.ty	Description	Notes
31100451	31100451	1	SCREW 3,5X25	
31112090	31112090	1	SCREW TE M6X16 UNI 5739 8G	
31121020	31121020	1	SCREW TBCEI M8X40 ISO7380 10K Z	
31121024	31121024	1	SCREW TBCEI FL.M4X25	
31211080	31211080	1	NUT M8	
31241042	31241042	1	SELFLOCK NUT M4 FL.6S	
31241084	31241084	1	SELFLOCK NUT M8 6S	
34213020	34213020	1	ROLL PIN	
53156860	53156860	1	COMMAND LEVER	
55157212	55157212	1	GRIP	
55157213	55157213	1	GRIP	
55157214	55157214	1	GRIP	
55157215	55157215	1	GRIP	
55256197	55256197	1	LEVER	
55256757	55256757	1	PULLEY	
55256835	55256835	1	PROTECTION COVER	
55256836	55256836	1	CROSS MEMBER	
56148287	56148287	1	STUD BOLT	
58047712	58047712	1	SPRING	
58048009	58048009	1	SWITCH	
58049501	58049501	1	LINE AND SHEATH	
58049505	58049505	1	LINE AND SHEATH	
58049830	58049830	1	SPRING	
58056595	58056595	1	ADJUSTING SCREW	
58056814	58056814	1	LINE AND SHEATH	
58056837	58056837	1	WIRING	
58056841	58056841	1	LINE AND SHEATH	
58056845	58056845	1	LINE AND SHEATH	
58056846	58056846	1	LINE AND SHEATH	
58056847	58056847	1	LINE AND SHEATH	
58056848	58056848	1	LINE AND SHEATH	
58056849	58056849	1	LINE AND SHEATH	
58057337	58057337	1	LINE AND SHEATH	
59256180	59256180	1	SUPPORT	

SERIAL

L03_01 - HANDLEBAR CONTROLS

CODE REV

L03_1_77607



300 serie PS
PowerSafe®

HANDLEBAR CONTROLS

CONTROLES EN EL MANILLAR

COMANDI SUL MANUBRIO

(330-340-346-360 ★)

CONTROLES SUR LE MANCHERON

KONTROLLEN AM LINCHER

DALLA MACCHINA
DE LA MAQUINA
DE LA MACHINA
FROM THE MACHINE
AB DER MASCHINE

★ N.

AGGIORNAMENTO

APLAZAMIENTO

MISE A JOUR

REVISION

ANPASSUNG

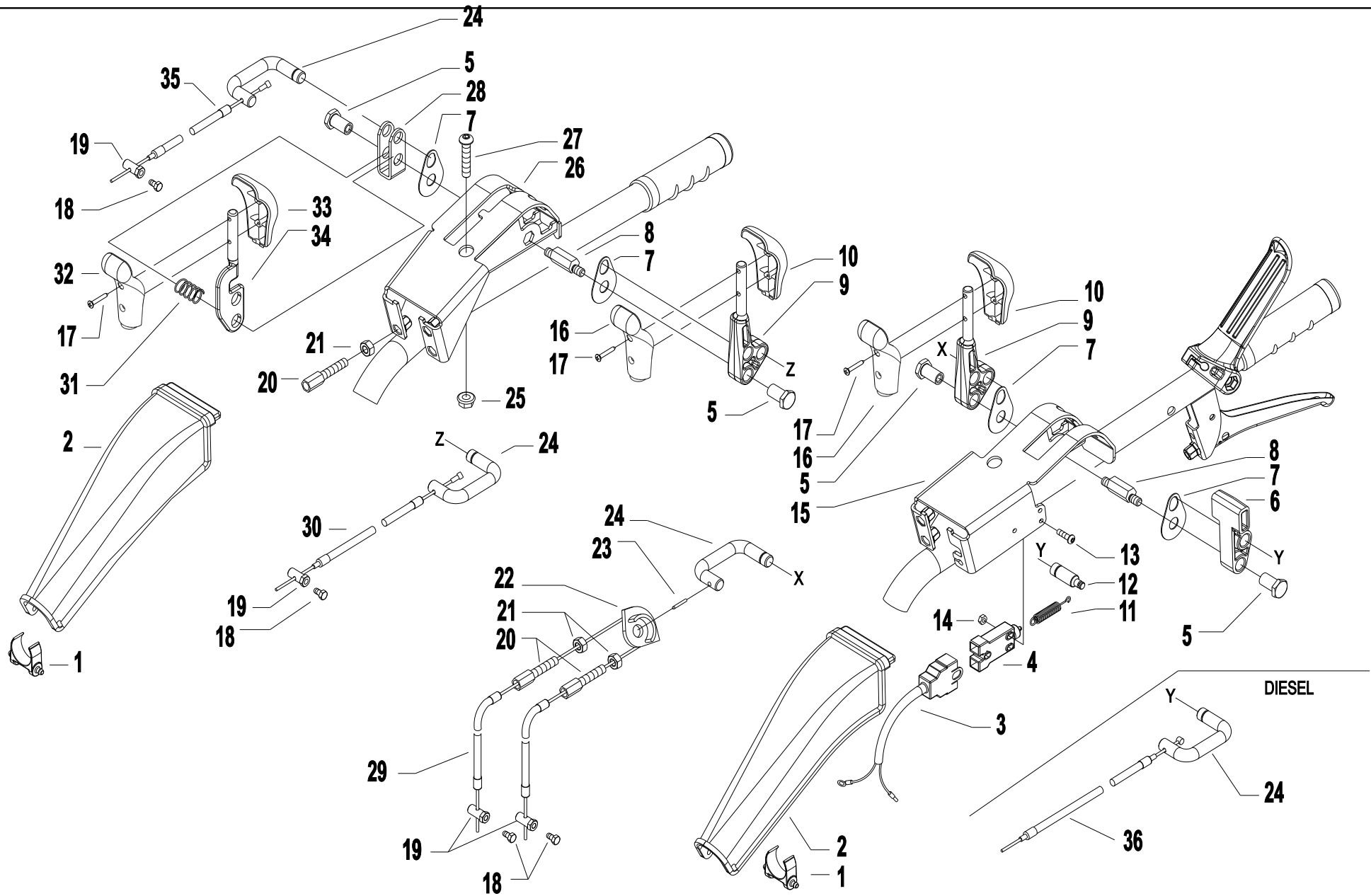
L03

11/2010

Rev.

1

Pos.	Code	Q.ty	Description	Notes
59256850	59256850	1	SUPPORT	
52156810	52156810Z	1	COMMAND LEVER	
56156832	56156832Z	1	U BOLT	
56156834	56156834Z	1	INDEXING BOLT	
56156859	56156859Z	1	FORK	
56356833	56356833Z	1	SMALL PLATE	
56356840	56356840Z	1	CLAMPING SCREW	
56356858	56356858Z	1	PIN	



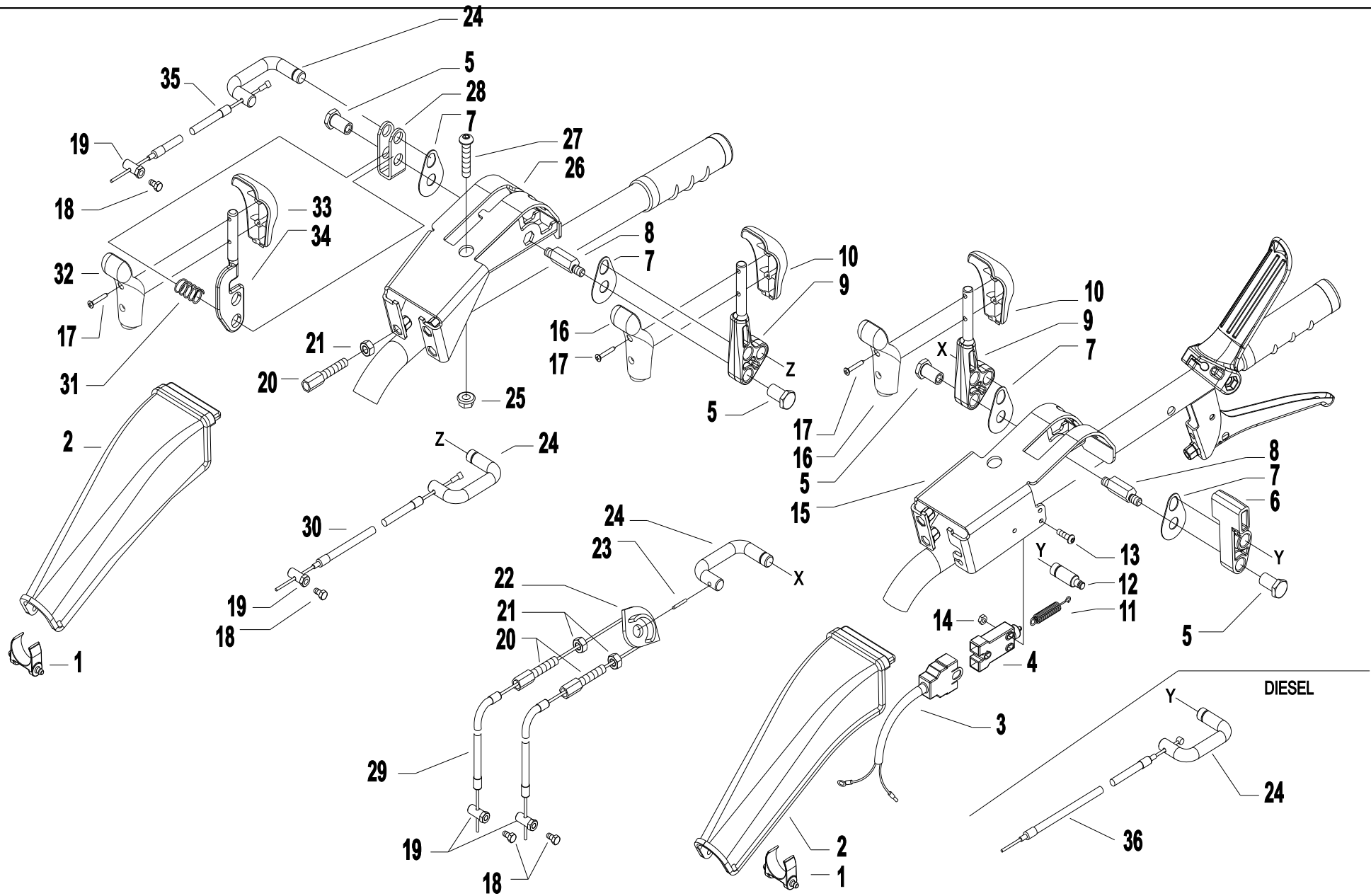
Pos.	Code	Q.ty	Description	Notes
1	55256836	1	CROSS MEMBER	
2	55256835	1	PROTECTION COVER	
3	58056837	1	WIRING	
4	58048009	1	SWITCH	
5	56148287	1	STUD BOLT	
6	55256197	1	LEVER	
7	56356833Z	1	SMALL PLATE	
8	56356858Z	1	PIN	
9	53156860	1	COMMAND LEVER	
10	55157212	1	GRIP	
11	58047712	1	SPRING	
12	56156834Z	1	INDEXING BOLT	
13	31121024	1	SCREW TBCEI FL.M4X25	
14	31241042	1	SELFLOCK NUT M4 FL.6S	
15	59256180	1	SUPPORT	
16	55157213	1	GRIP	
17	31100451	1	SCREW 3,5X25	
18	31112090	1	SCREW TE M6X16 UNI 5739 8G	
19	56356840Z	1	CLAMPING SCREW	
20	58056595	1	ADJUSTING SCREW	
21	31211080	1	NUT M8	
22	55256757	1	PULLEY	
23	34213020	1	ROLL PIN	
24	56156832Z	1	U BOLT	
25	31241084	1	SELFLOCK NUT M8 6S	
26	59256850	1	SUPPORT	
27	31121020	1	SCREW TBCEI M8X40 ISO7380 10K Z	
28	56156859Z	1	FORK	
29	58056841	1	LINE AND SHEATH	For models 346/360 PS Series
29	58056845	1	LINE AND SHEATH	For the 340 model series PS
29	58056849	1	LINE AND SHEATH	For models 330/338 PS Series
30	58056847	1	LINE AND SHEATH	For models 340/346/360 PS Series
30	58056848	1	LINE AND SHEATH	For models 330/338 PS Series
31	58049830	1	SPRING	

SERIAL

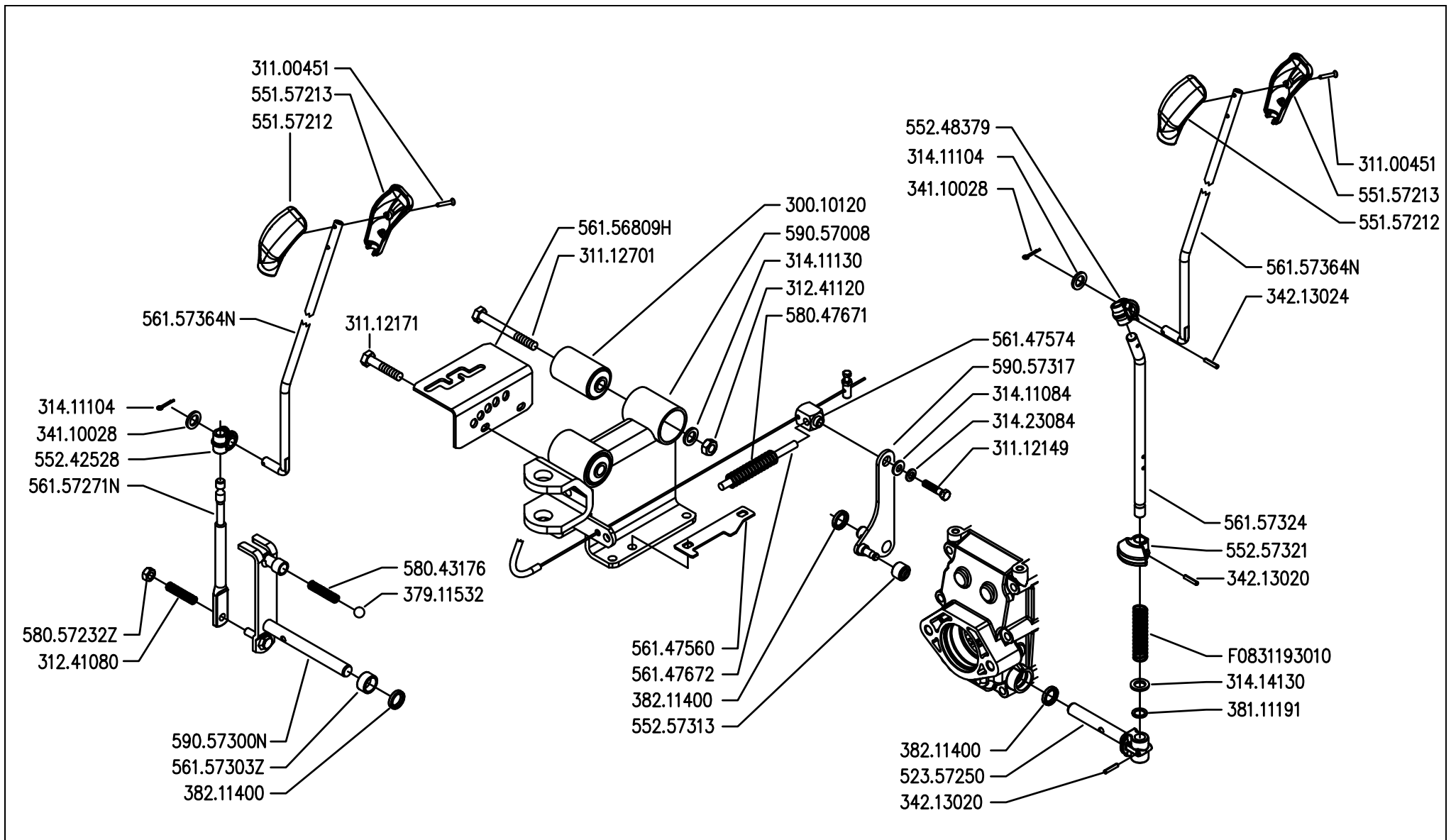
L03_02 - HANDLEBAR CONTROLS

CODE REV

L.03.01.A0003_02



Pos.	Code	Q.ty	Description	Notes
32	55157215	1	GRIP	
33	55157214	1	GRIP	
34	52156810Z	1	COMMAND LEVER	
35	58056846	1	LINE AND SHEATH	For models 340/346/360 PS Series
35	58056848	1	LINE AND SHEATH	For models 330/338 PS Series
36	58057337	1	LINE AND SHEATH	For Model 360 series PS engine 3LD510
36	58056814	1	LINE AND SHEATH	For models 340/360 series PS engine 15LD440. For model
36	58049501	1	LINE AND SHEATH	For model series 340 PS engine with L100
36	58049505	1	LINE AND SHEATH	For models 330/338 series engines with PS L70/L100/15LD350



300 serie PS
PowerSafe®

CONTROLS
MANDOS

COMANDI
(340-346-360 ★)

COMMANDES
ANTRIEBE

DALLA MACCHINA
DE LA MAQUINA
DE LA MACHINA
FROM THE MACHINE
AB DER MASCHINE

★ N.

AGGIORNAMENTO
APLAZAMIENTO
MISE A JOUR
REVISION
ANPASSUNG

M03 1

11/2010

Rev.

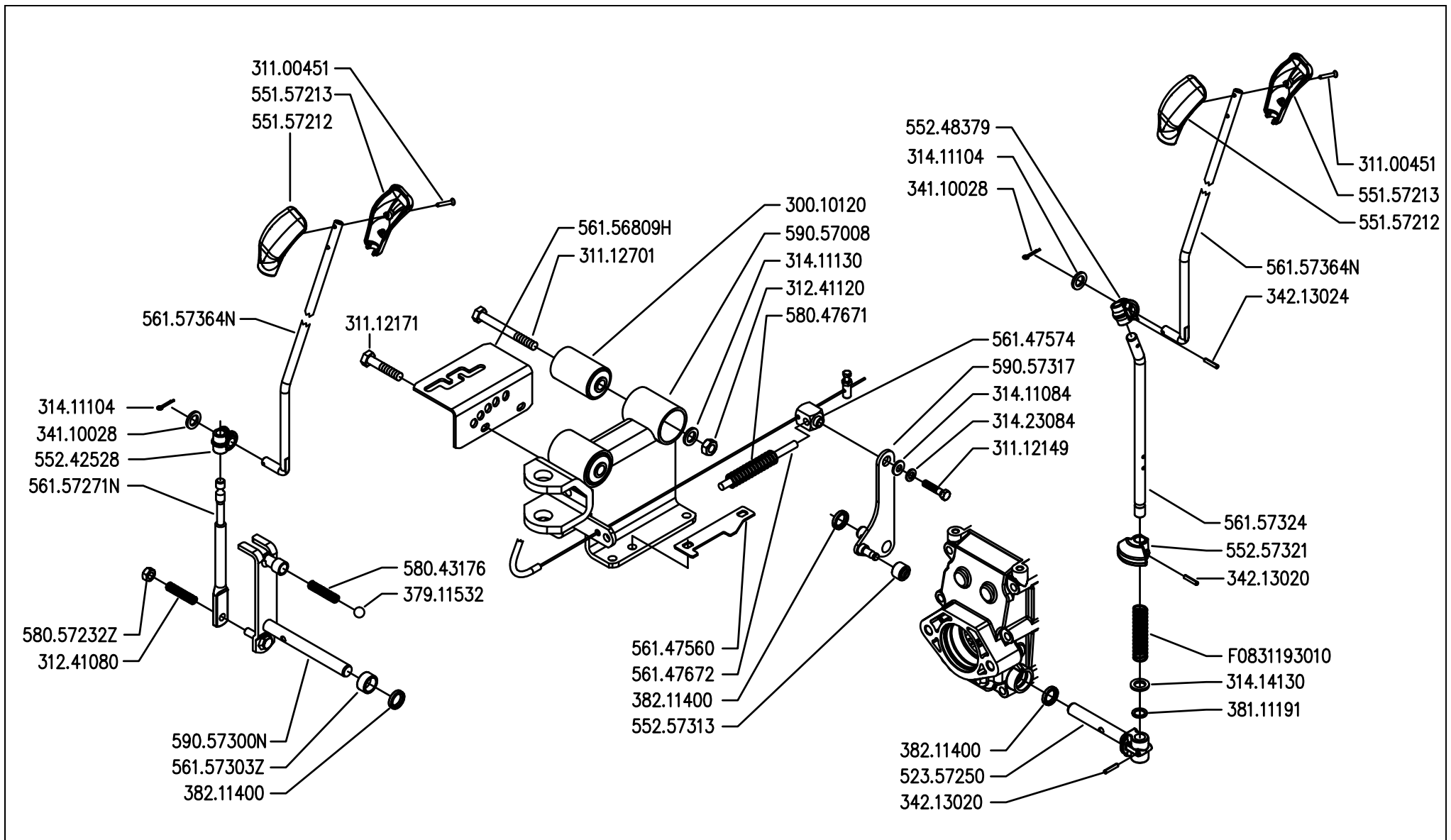
Pos.	Code	Q.ty	Description	Notes
30010120	30010120	1	SILENT-BLOCK 12X40X58X66	
31100451	31100451	1	SCREW 3,5X25	
31112149	31112149	1	SCREW TE M8X12 UNI 5739 8G	
31112171	31112171	1	SCREW TE C/F M8X16 DIN 6921	
31112701	31112701	1	SCREW TE M12X100 UNI 5737	
31241080	31241080	1	HEXAGON SELFLOCK NUT M8	
31241120	31241120	1	SELFLOCK NUT M12	
31411084	31411084	1	WASHER 8,4x17	
31411104	31411104	1	WASHER 10,5x18	
31411130	31411130	1	WASHER 13x24	
31414130	31414130	1	WASHER 13	
31423084	31423084	1	SPRING WASHER 8,4	
34110028	34110028	1	SPLIT PIN	
34213020	34213020	1	ROLL PIN	
34213024	34213024	1	ROLL PIN	
37911532	37911532	1	BALL 15/32	
38111191	38111191	1	O-RING	
38211400	38211400	1	OIL SEAL 14X22X4	
52357250	52357250	1	PIN	
55157212	55157212	1	GRIP	
55157213	55157213	1	GRIP	
55242528	55242528	1	JOINT	
55248379	55248379	1	JOINT	
55257313	55257313	1	ROLLER	
55257321	55257321	1	STOP	
56147560	56147560	1	STOP	
56147574	56147574	1	SMALL BLOCK	
56147672	56147672	1	GUIDE PIN	
56157324	56157324	1	PTO LEVER	
58043176	58043176	1	SPRING	
58047671	58047671	1	SPRING	
59057008	59057008	1	SUPPORT	
59057317	59057317	1	LEVER	
56156809	56156809H	1	GEAR SELECTOR	

SERIAL

M03_01 - CONTROLS (340_346_360)

CODE REV

M03_1_77650



300 serie PS
PowerSafe®

CONTROLS
MANDOS

COMANDI
(340-346-360 ★)

COMMANDES
ANTRIEBE

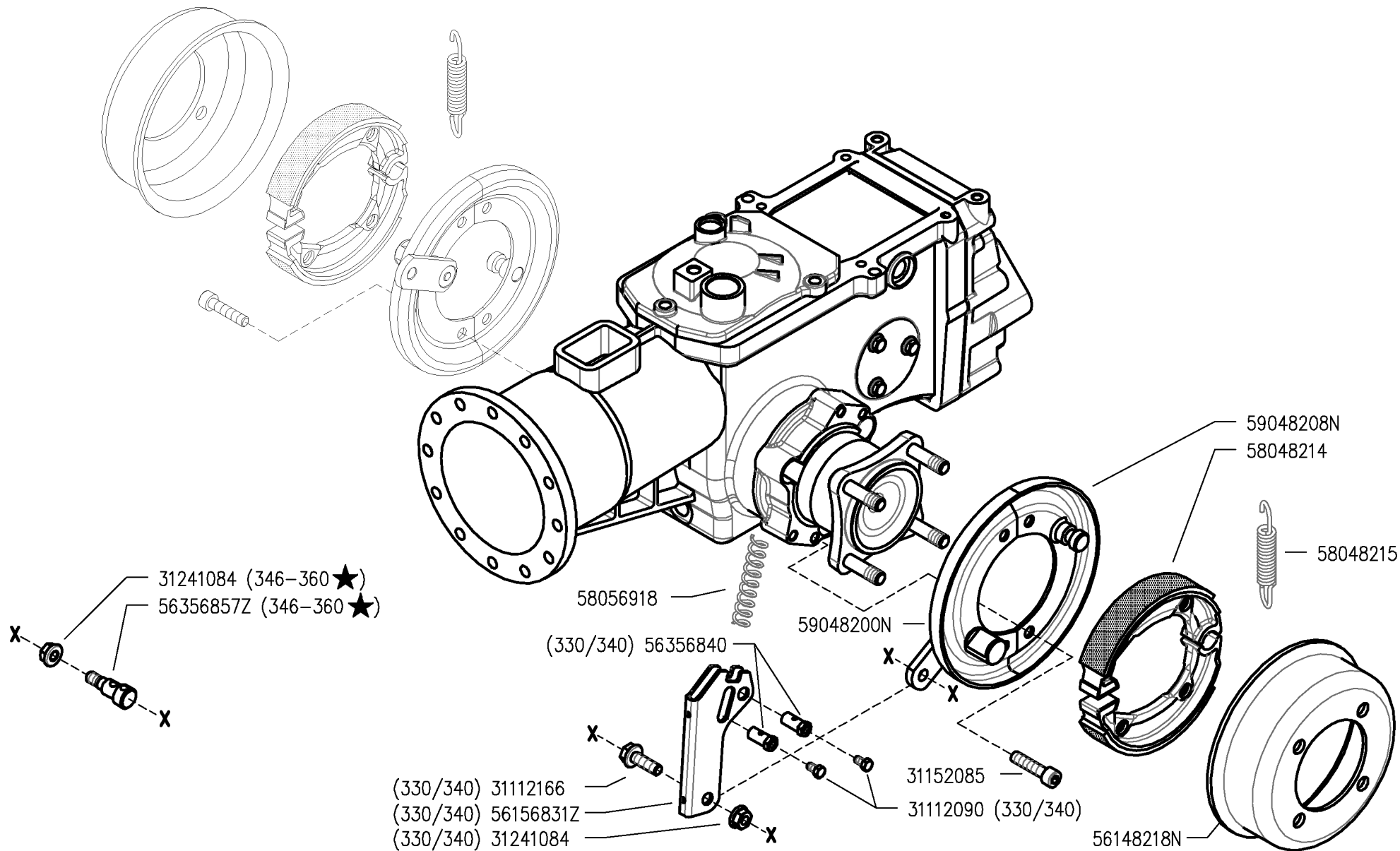
DALLA MACCHINA
DE LA MAQUINA
DE LA MACHINA
FROM THE MACHINE
AB DER MASCHINE

★ N.

AGGIORNAMENTO	M03 1
APLAZAMIENTO	
MISE A JOUR	
REVISION	
ANPASSUNG	11/2010

Rev.

Pos.	Code	Q.ty	Description	Notes
56157271	56157271N	1	COMMAND LEVER	
56157303	56157303Z	1	SPACER	
56157364	56157364N	1	PULL ROD	
58057232	58057232Z	1	SPRING	
59057300	59057300N	1	GEAR LEVER	
F0831193	F0831193010	1	SPRING DM.15X70	



300 serie PS
PowerSafe®

BRAKES
FRENOS

FRENI
(330-340-346-360 ★)

FREINS
BREMSEN

DALLA MACCHINA
DE LA MAQUINA
DE LA MACHINA
FROM THE MACHINE
AB DER MASCHINE

★ N.

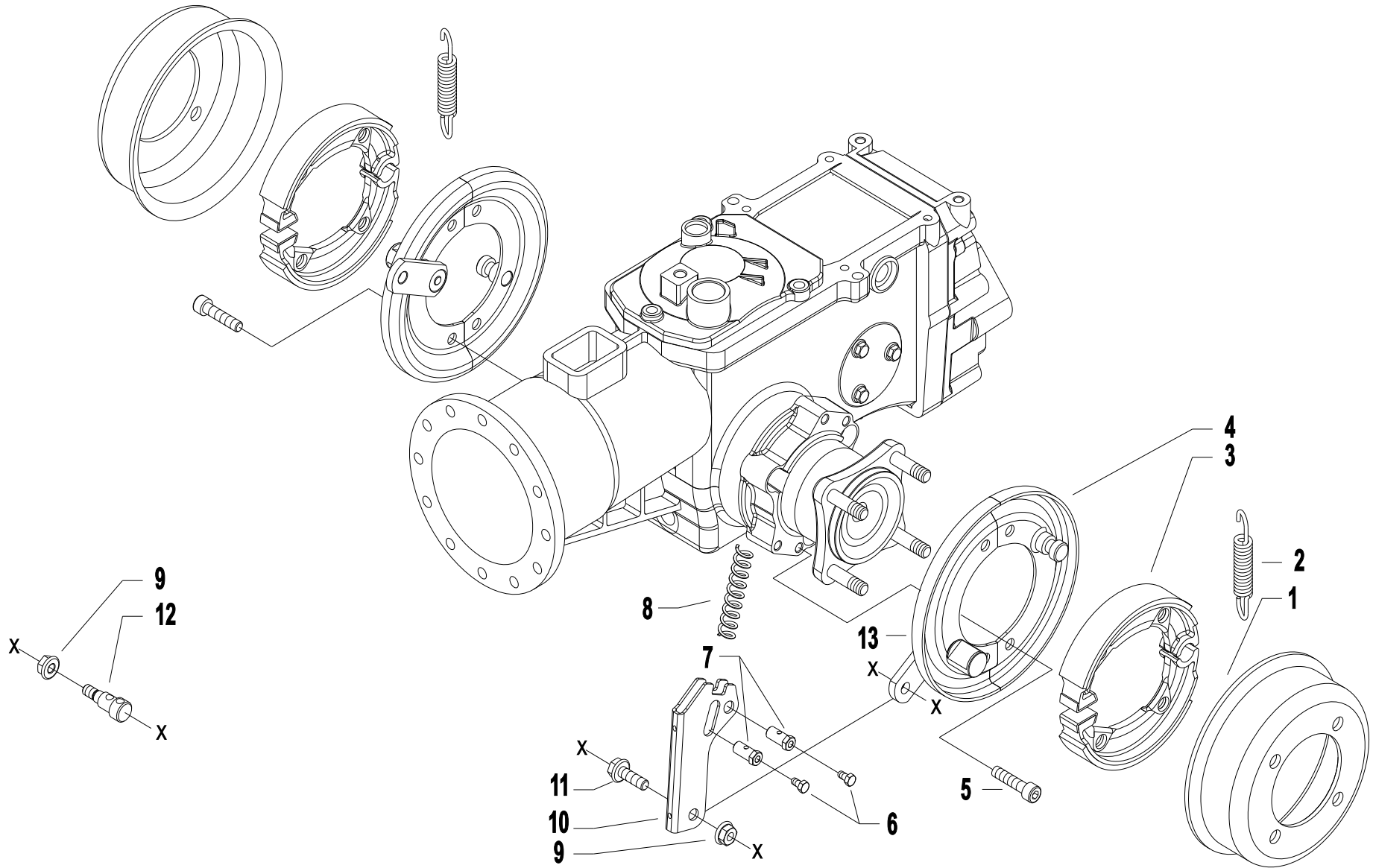
AGGIORNAMENTO
APLAZAMIENTO
MISE A JOUR
REVISION
ANPASSUNG

N02 1

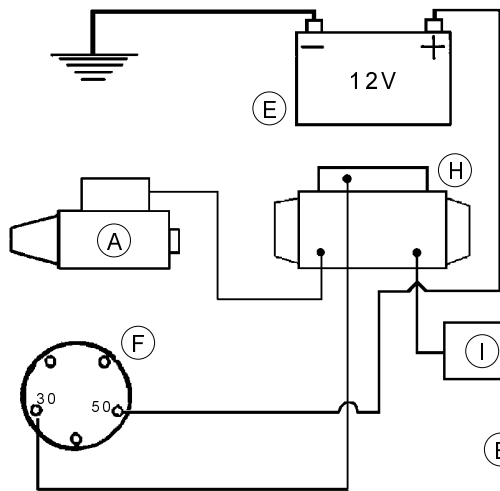
11/2010

Rev.

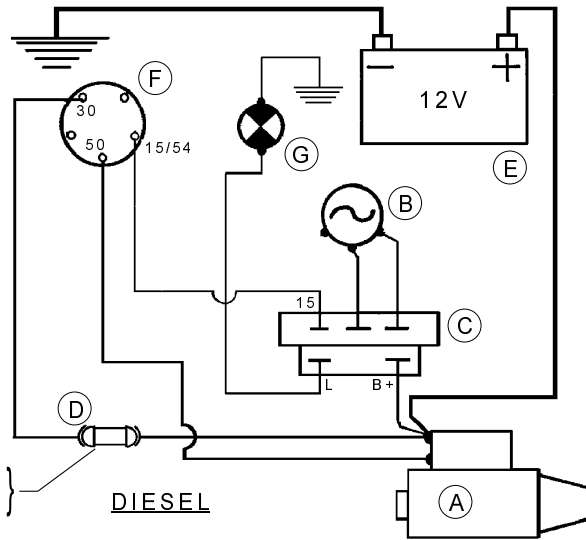
Pos.	Code	Q.ty	Description	Notes
31112090	31112090	1	SCREW TE M6X16 UNI 5739 8G	
31112166	31112166	1	SCREW TE C/F M8X25 DIN 6921 8G	
31152085	31152085	1	SCREW TCEI M8X25 UNI 5931	
31241084	31241084	1	SELFLOCK NUT M8 6S	
56356840	56356840	1	CLAMPING SCREW	
58048214	58048214	1	BRAKE BLOCK	
58048215	58048215	1	SPRING	
58056918	58056918	1	SPRING	
56148218	56148218N	1	BRAKE DRUM	
56156831	56156831Z	1	FORK	
56356857	56356857Z	1	STOP	
59048200	59048200N	1	HALF DISC	
59048208	59048208N	1	HALF DISC	



Pos.	Code	Q.ty	Description	Notes
1	56148218N	1	BRAKE DRUM	
2	58048215	1	SPRING	
3	58048214	1	BRAKE BLOCK	
4	59048208N	1	HALF DISC	
5	31152085	1	SCREW TCEI M8X25 UNI 5931	
6	31112090	1	SCREW TE M6X16 UNI 5739 8G	Used in the models 330/338/340 PS Series
7	56356840	1	CLAMPING SCREW	Used in the models 330/338/340 PS Series
8	58056918	1	SPRING	
9	31241084	1	SELFLOCK NUT M8 6S	
10	56156831Z	1	FORK	Used in the models 330/338/340 PS Series
11	31112166	1	SCREW TE C/F M8X25 DIN 6921 8G	Utilisées dans les modèles 330/338/340 PS Series
12	56356857Z	1	STOP	Used in the models 346/360 PS Series
13	59048200N	1	HALF DISC	

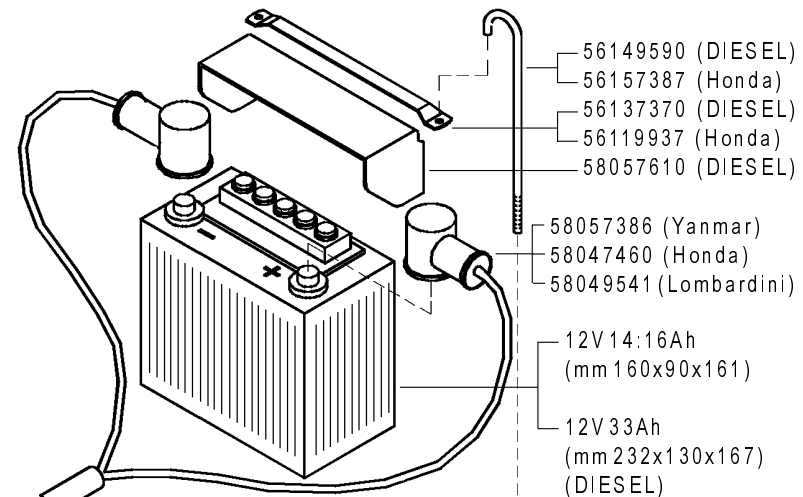


HONDA



(Yanmar) 15A
(Lombardini) 25A

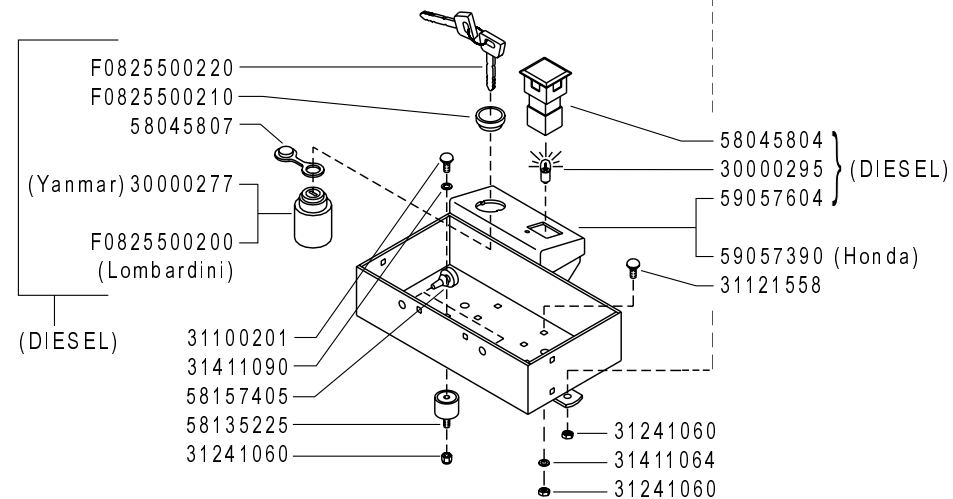
DIESEL



- 56149590 (DIESEL)
- 56157387 (Honda)
- 56137370 (DIESEL)
- 56119937 (Honda)
- 58057610 (DIESEL)
- 58057386 (Yanmar)
- 58047460 (Honda)
- 58049541 (Lombardini)
- 12V 14:16Ah
(mm 160x90x161)
- 12V 33Ah
(mm 232x130x167)
(DIESEL)

A	B	C	D
MOTORINO D'AVVIAMENTO STARTER DÉMARREUR MOT. DEARRANQUE ANLASSMOTOR	GENERATORE GENERATOR GÉNÉRATEUR GENERADOR GENERATOR	REGOLATORE REGULATOR RÉGULATEUR REGULADOR REGLER	FUSIBILI FUSES FUSIBLES FUSIBLES SCHMELZSICHERUNGEN

E	F	G	H	I
BATTERIA BATTERY BATTERIE BATERIA BATERIE	INTERRUTTORE SWITCH INTERRUPTEUR INTERRUPTOR SCHALTER	SPIA CARICA BATTERIA BATTERY LONG WARN. LIGHT TEMOIN CHARG. BATTERIE LUZ CARGA BATERIA BATTERIELADUNG KTRL. LAMPE	SOLENOIDE SOLENOID SOLÉNOÏDE SOLENOIDE SOLENOID	DIODO DIODE DIODE DIODE DIODE



- F0825500220
- F0825500210
- 58045807
- (Yanmar) 30000277
- F0825500200
(Lombardini)
- (DIESEL)
- 58045804
- 30000295
- 59057604
- 59057390 (Honda)
- 31121558
- 31100201
- 31411090
- 58157405
- 58135225
- 31241060
- 31241060
- 31411064
- 31241060

FERRARI

300 serie **PS**
PowerSafe®

AVVIAMENTO ELETTRICO

ELECTRIC STARTER
ARRANQUE ELECTRICO

DÉMARRAGE ELECTRIQUE
ELEKTROSTART

DALLA MACCHINA
FROM THE MACHINE
DE LA MACHINE
DE LA MAQUINA
AB DER MASCHINE

N.

Q01 0

05/2009

Rev.

ZENNE

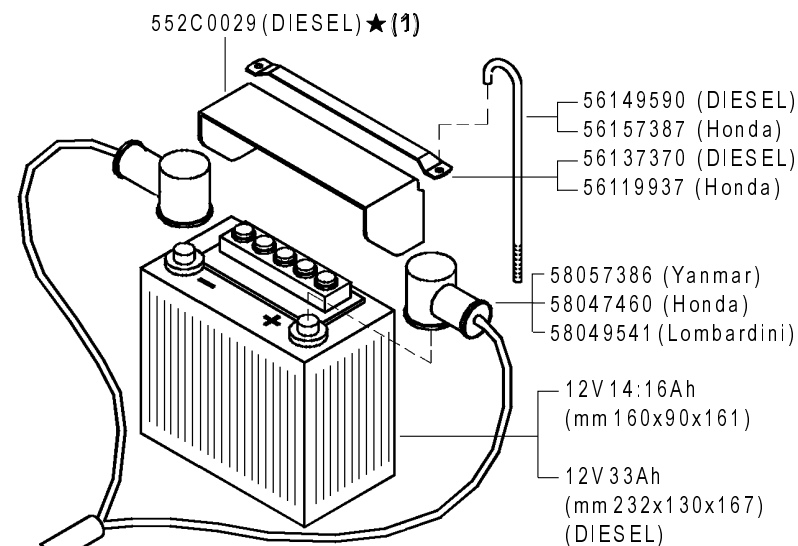
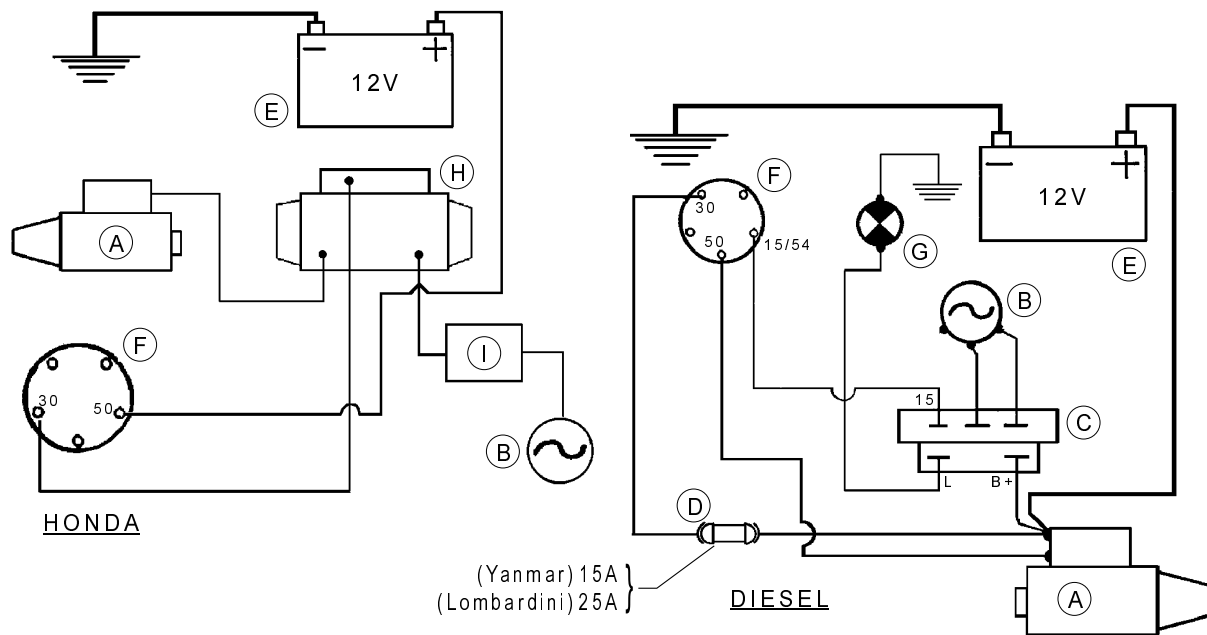
Pos.	Code	Q.ty	Description	Notes
30000277	30000277	1	SWITCH	
30000295	30000295	1	LAMP	
31100201	31100201	1	SCREW TTQ M6X12 UNI 5731	
31121558	31121558	0	SCREW TTQ M6X16 UNI 5731	
31241060	31241060	1	HEXAGON SELFLOCK NUT M6	
31411064	31411064	1	WASHER 6,4x12,5	
31411090	31411090	1	WASHER 9x24	
56119937	56119937	1	BATTERY SUPPORT	
56137370	56137370	1	BATTERY BRACKET	
56149590	56149590	1	BATTERY BRACKET	
56157387	56157387	1	ROD	
58045804	58045804	1	WARNING LIGHT	
58045807	58045807	1	LOCK COVER	
58047460	58047460	1	WIRING	
58049541	58049541	1	WIRING	
58057386	58057386	1	WIRING	
58057610	58057610	1	BOX	
58135225	58135225	0	VIBRATION-DAMPING	
58157405	58157405	1	PLUG	
59057390	59057390	1	BOX	
59057604	59057604	1	BOX	
F0825500	F0825500200	1	CHANGE-OVER SWITCH	
F0825500	F0825500210	1	RING NUT	
F0825500	F0825500220	1	KEY	

SERIAL

Q01_00 - ELECTRIC STARTER

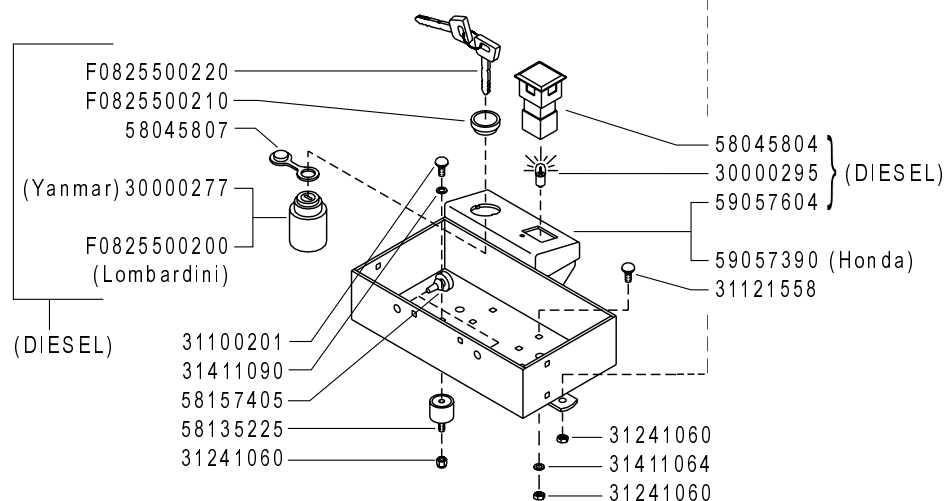
CODE REV

Q01_0_67569



A	B	C	D
MOTORINO D'AVVIAMENTO STARTER DÉMARREUR MOT. DE ARRANQUE ANLASSMOTOR	GENERATORE GENERATOR GÉNÉRATEUR GENERADOR GENERATOR	REGOLATORE REGULATOR RÉGULATEUR REGULADOR REGLER	FUSIBILI FUSES FUSIBLES FUSIBLES SCHMELZSICHERUNGEN

E	F	G	H	I
BATTERIA BATTERY BATTERIE BATERIA BATERIE	INTERRUTTORE SWITCH INTERRUPTEUR INTERRUPTOR SCHALTER	SPIA CARICA BATTERIA BATTERY LONG WARN. LIGHT TEMOIN CHARG. BATTERIE LUZ CARGA BATERIA BATTERIELADUNG KTRL. LAMPE	SOLENOIDE SOLENOID SOLÉNOÏDE SOLENOIDE SOLENOID	DIODO DIODE DIODE DIODE DIODE



(1) sostituisce 58057610

	300 serie PS PowerSafe®	AVVIAMENTO ELETTRICO ELECTRIC STARTER ARRANQUE ELECTRICO	DÉMARRAGE ELECTRIQUE ELEKTROSTART	DALLA MACCHINA FROM THE MACHINE DE LA MACHINE DE LA MAQUINA AB DER MASCHINE	★ N.	884219	Rev.
							Q01 1
						05/2011	ZENNE

Pos.	Code	Q.ty	Description	Notes
30000277	30000277	1	SWITCH	
30000295	30000295	1	LAMP	
31100201	31100201	1	SCREW TTQ M6X12 UNI 5731	
31121558	31121558	0	SCREW TTQ M6X16 UNI 5731	
31241060	31241060	1	HEXAGON SELFLOCK NUT M6	
31411064	31411064	1	WASHER 6,4x12,5	
31411090	31411090	1	WASHER 9x24	
552C0029	552C0029	1	COVER	
56119937	56119937	1	BATTERY SUPPORT	
56137370	56137370	1	BATTERY BRACKET	
56149590	56149590	1	BATTERY BRACKET	
56157387	56157387	1	ROD	
58045804	58045804	1	WARNING LIGHT	
58045807	58045807	1	LOCK COVER	
58047460	58047460	1	WIRING	
58049541	58049541	1	WIRING	
58057386	58057386	1	WIRING	
58135225	58135225	0	VIBRATION-DAMPING	
58157405	58157405	1	PLUG	
59057390	59057390	1	BOX	
59057604	59057604	1	BOX	
F0825500	F0825500200	1	CHANGE-OVER SWITCH	
F0825500	F0825500210	1	RING NUT	
F0825500	F0825500220	1	KEY	

SERIAL
START
884219

Q01_01 - ELECTRIC STARTER

CODE REV
Q01_1_81859



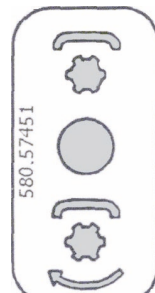
580.56864



580.56866



580.57746



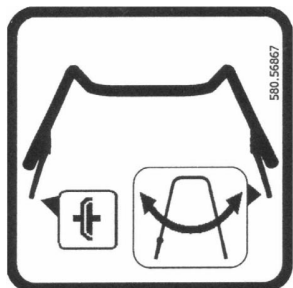
580.57451



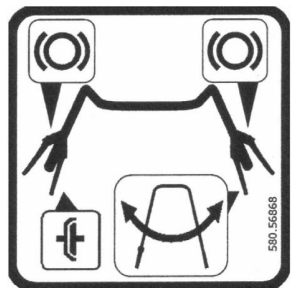
580.57676



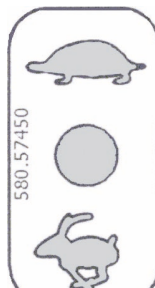
580.57724



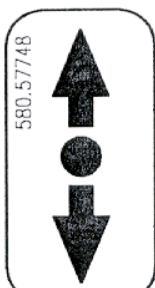
580.56867



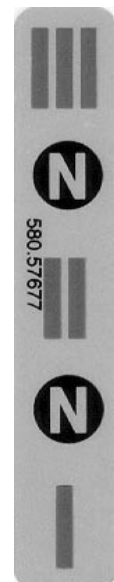
580.56868



580.57450



580.57748



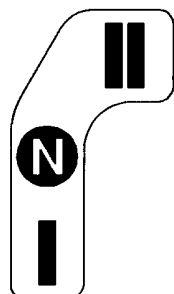
580.57677



580.57767



580.56869

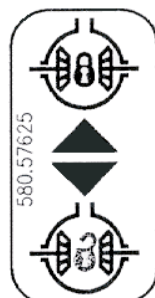


580.57732



580.57747

580.57747



580.57625

580.57625



580.93089

580.93089

FERRARI

300 serie **PS**
PowerSafe ®

ADESIVE

STICKERS
ADHESIVOS

AUTOCOLLANTS
AUFKLEBES

DALLA MACCHINA
FROM THE MACHINE
DE LA MACHINE
DE LA MAQUINA
AB DER MASCHINE

N.

R01 0

05/2009

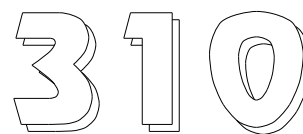
Rev.

ZENNE

Pos.	Code	Q.ty	Description	Notes
58056864	58056864	1	DECAL	
58056866	58056866	1	DECAL	
58056867	58056867	1	DECAL	
58056868	58056868	1	DECAL	
58056869	58056869	1	DECAL	
58057450	58057450	1	DECAL	
58057451	58057451	1	DECAL	
58057625	58057625	1	DECAL	
58057676	58057676	1	DECAL	
58057677	58057677	1	DECAL	
58057724	58057724	1	DECAL	
58057732	58057732	1	DECAL	
58057746	58057746	1	DECAL	
58057747	58057747	1	DECAL	
58057748	58057748	1	DECAL	
58057767	58057767	1	DECAL	
58057768	58057768	1	DECAL	
58093089	58093089	1	DECAL	

PowerSafe ®

1



6



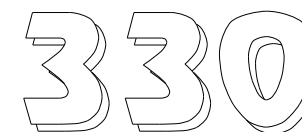
7

EasyDrive ®

2



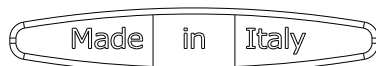
8



9



3



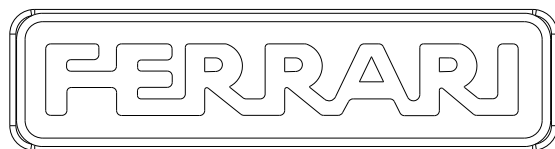
4



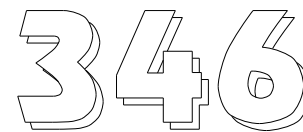
10



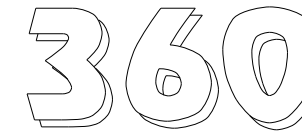
11



5

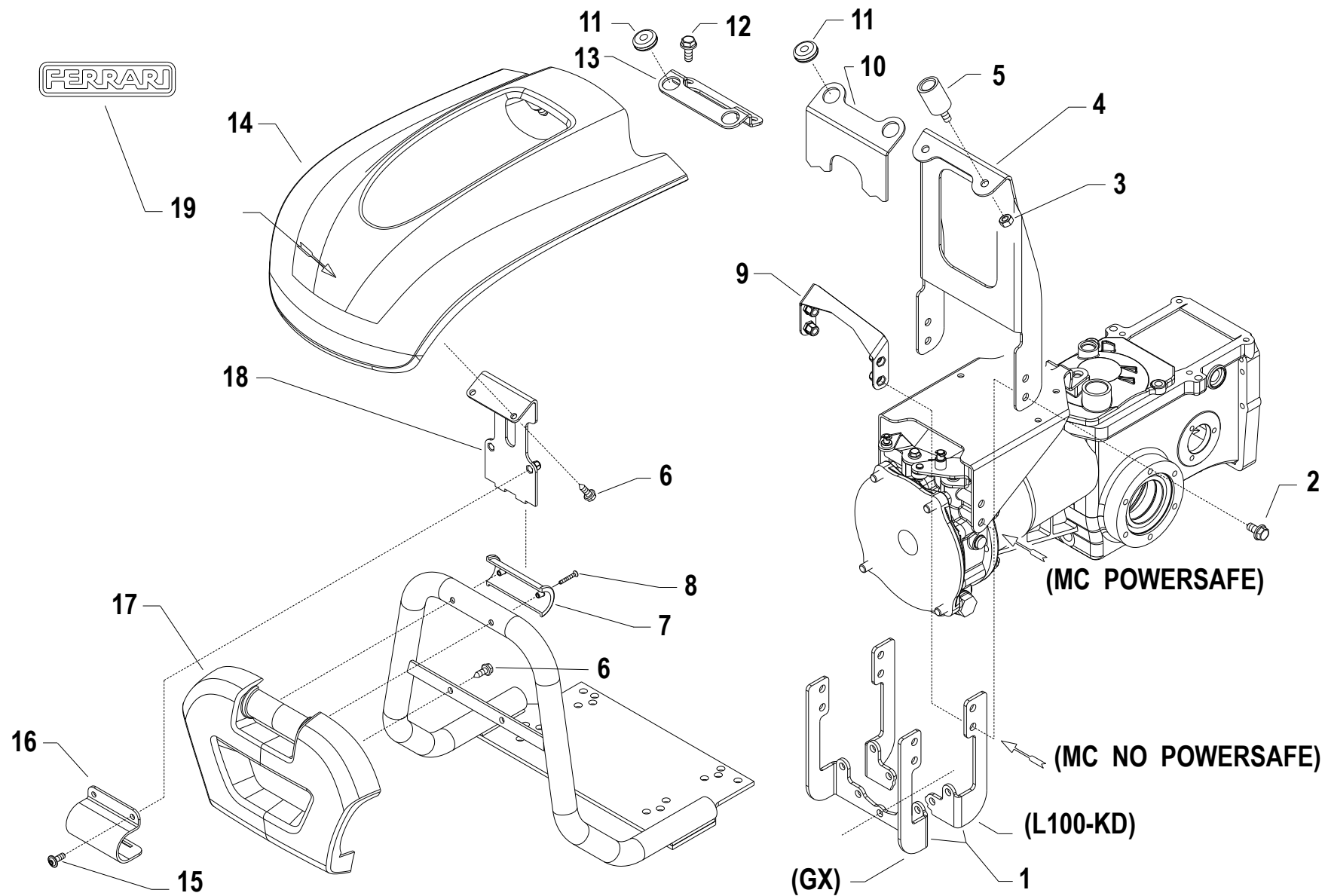


12



13

Pos.	Code	Q.ty	Description	Notes
1	53057666	1	POWERSAFE BRAND	
2	53057670	1	DECAL	
3	53052175	1	MEDIUM FERRARI BRAND	
4	530C0056	1	DECAL	
5	53052176	1	BIG FERRARI BRAND	
6	58052178	1	DECAL	
7	58052179	1	DECAL	
8	58052193	1	DECAL	
9	58052180	1	DECAL	
10	58052192	1	DECAL	
11	58052181	1	DECAL	
12	58052182	1	DECAL	
13	58052191	1	DECAL	



i = info - stop 2 sec. ★ = new part

Pos.	Code	Q.ty	Description	Notes
1	56157515N		HOLDER	
2	31112170		SCREW TE C/F M8X20 DIN 6921	
3	31211080		NUT M8	
4	56157516N		SUPPORT	L100
4	56157498N		SUPPORT	KD440
4	56157499N		SUPPORT	KD350 - GX340 - GX390 - POWERSAFE
4	56157513N		SUPPORT	GX270
5	58042111		STOPPER	
6	31510100		RIBBED SCREW 6,3X19 UNI 6950	
7	55252504		HALF BEARING	
8	31100451		SCREW 3,5X25	
9	59257488		SUPPORT	NO POWERSAFE SERIES
10	56157495N		SUPPORT	KD350
11	58056991		CABLE GLAND	
12	31112171		SCREW TE C/F M8X16 DIN 6921	3LD510
13	561C0078N		REAR SUPPORT	3LD510
14	55252502		BONNET	
15	31121018		SCREW TBCEI FLANG. M6X16	
16	56157519N		RH HINGE	
17	55252503		FREGIO ANT.MC 2010 FERRARI	
18	59257517		PLATE	KD440 - L100
18	59257523		PLATE	KD350 - GX
18	592C0080		PLATE	3LD510
19	53052175		MEDIUM FERRARI BRAND	

SPARE PARTS INSTANCE INDEX





SPARE PARTS INSTANCE INDEX

Code	Parts Table	Pos.	Q.ty	Code	Parts Table	Pos.	Q.ty	Code	Parts Table	Pos.	Q.ty
30000001	G03_0_77436	30000001	1	31112090	H03_1_77469	31112090	1	31112293	J03_2_77555	31112293	1
30000197	B.01.01.A0001_03	9	1		L.03.01.A0003_02	18	1	31112701	M03_1_77650	31112701	1
30000277	Q01_0_67569	30000277	1		L03_1_77607	31112090	1	31121008	A.02.01.A0003_02	6	1
	Q01_1_81859	30000277	1		N.02.01.A0003_02	6	1		A.02.01.A0003_03	5	
30000295	Q01_0_67569	30000295	1		N02_1_77691	31112090	1		A02_1_77305	31121008	1
	Q01_1_81859	30000295	1	31112099	D.01.01.A0001_02	2	1	31121018	S.01.01.A0027_00	15	
30010120	M03_1_77650	30010120	1		D.01.01.A0003_03	2		31121020	K03_1_77574	31121020	1
31100015	F01_1_77388	31100015	1		D01_1_77361	31112099	1		L.03.01.A0003_02	27	1
31100023	E01_1_77371	31100023	1	31112149	M03_1_77650	31112149	1		L03_1_77607	31121020	1
31100029	E01_1_77371	31100029	1	31112154	A.02.01.A0003_02	1	1	31121024	L.03.01.A0003_02	13	1
31100031	E01_1_77371	31100031	1		A.02.01.A0003_03	1			L03_1_77607	31121024	1
31100201	Q01_0_67569	31100201	1		A02_1_77305	31112154	1	31121558	Q01_0_67569	31121558	0
	Q01_1_81859	31100201	1	31112165	J03_1_77552	31112165	1		Q01_1_81859	31121558	0
31100451	A.02.01.A0003_02	12	1		J03_2_77555	31112165	1	31152060	B.01.01.A0001_03	24	1
	A.02.01.A0003_03	10		31112166	G04_0_77461	31112166	1		B01_2_77329	31152060	1
	A02_1_77305	31100451	1		I04_1_77517	31112166	1	31152063	B.01.01.A0001_03	1	1
	J03_1_77552	31100451	1		N.02.01.A0003_02	11	1		B01_2_77329	31152063	1
	J03_2_77555	31100451	1		N02_1_77691	31112166	1	31152085	N.02.01.A0003_02	5	1
	L.03.01.A0003_02	17	1	31112167	G04_0_77461	31112167	1		N02_1_77691	31152085	1
	L03_1_77607	31100451	1	31112170	I04_1_77517	31112170	1	31152090	E01_1_77371	31152090	1
	M03_1_77650	31100451	1		S.01.01.A0027_00	2		31152150	G03_0_77436	31152150	1
	S.01.01.A0027_00	8		31112171	A.02.01.A0003_02	3	1	31211080	K03_1_77574	31211080	1
31104022	F01_1_77388	31104022	1		A.02.01.A0003_03	3			L.03.01.A0003_02	21	1
31111229	J03_1_77552	31111229	1		A02_1_77305	31112171	1		L03_1_77607	31211080	1
	J03_2_77555	31111229	1		M03_1_77650	31112171	1		S.01.01.A0027_00	3	
31112081	A.02.01.A0003_03	7			S.01.01.A0027_00	12		31211100	I04_1_77517	31211100	1
31112083	G03_0_77436	31112083	1	31112172	G04_0_77461	31112172	1	31241042	L.03.01.A0003_02	14	1
31112084	B.01.01.A0001_03	16	1	31112210	A.02.01.A0003_02	19	1		L03_1_77607	31241042	1
	B01_2_77329	31112084	1		A.02.01.A0003_03	17		31241060	A02_1_77305	31241060	1
31112085	A.02.01.A0003_02	9	1		A02_1_77305	31112210	1		K03_1_77574	31241060	1
	A02_1_77305	31112085	1	31112211	H.03.02.A0003_02	20			Q01_0_67569	31241060	1
31112089	K03_1_77574	31112089	1		H.03.02.A0003_03	20			Q01_1_81859	31241060	1
31112090	H.03.02.A0003_02	34			H03_1_77469	31112211	1	31241065	K03_1_77574	31241065	1
	H.03.02.A0003_03	34		31112293	J03_1_77552	31112293	1	31241066	A.02.01.A0003_03	16	



SPARE PARTS INSTANCE INDEX

Code	Parts Table	Pos.	Q.ty	Code	Parts Table	Pos.	Q.ty	Code	Parts Table	Pos.	Q.ty
31241080	I04_1_77517	31241080	1	31411090	Q01_1_81859	31411090	1	34213040	I04_1_77517	34213040	1
	J03_1_77552	31241080	1	31411104	M03_1_77650	31411104	1	34213060	H.03.02.A0003_02	23	
	M03_1_77650	31241080	1	31411130	M03_1_77650	31411130	1		H.03.02.A0003_03	23	
31241083	F01_1_77388	31241083	1	31414130	M03_1_77650	31414130	1		H03_1_77469	34213060	1
31241084	A.02.01.A0003_02	2	1	31421083	E01_1_77371	31421083	1	34213061	H.03.02.A0003_02	25	
	A.02.01.A0003_03	2		31421100Z	J03_1_77552	31421100	1		H.03.02.A0003_03	25	
	A02_1_77305	31241084	1		J03_2_77555	31421100	1		H03_1_77469	34213061	1
	G03_0_77436	31241084	1	31421101	H.03.02.A0003_02	21		34221040	B.01.01.A0001_03	5	1
	G04_0_77461	31241084	1		H.03.02.A0003_03	21			B01_2_77329	34221040	1
	I04_1_77517	31241084	1		H03_1_77469	31421101	1	35111029	E01_1_77371	35111029	1
	J03_2_77555	31241084	1	31423084	F01_1_77388	31423084	1	35111047	H.03.02.A0003_02	37	
	L.03.01.A0003_02	25	1		I04_1_77517	31423084	1		H.03.02.A0003_03	37	
	L03_1_77607	31241084	1		M03_1_77650	31423084	1		H03_1_77469	35111047	1
	N.02.01.A0003_02	9	1	31423105	A.02.01.A0003_02	20	1	35111053	H.03.02.A0003_02	28	
	N02_1_77691	31241084	1		A.02.01.A0003_03	18			H.03.02.A0003_03	28	
31241100	J03_1_77552	31241100	1		A02_1_77305	31423105	1		H03_1_77469	35111053	1
	J03_2_77555	31241100	1		I04_1_77517	31423105	1	35111055	H.03.02.A0003_02	8	
31241120	M03_1_77650	31241120	1	31480184	B.01.01.A0001_03	10	1		H.03.02.A0003_03	8	
31241124	G03_0_77436	31241124	1		B01_2_77329	31480184	1		H03_1_77469	35111055	1
31241126	J03_1_77552	31241126	1		G03_0_77436	31480184	1	35121031	H.03.02.A0003_02	6	
	J03_2_77555	31241126	1	31510099	A02_1_77305	31510099	1		H.03.02.A0003_03	6	
31312073	F01_1_77388	31312073	1	31510100	A.02.01.A0003_02	14	1		H03_1_77469	35121031	1
31312082	G03_0_77436	31312082	1		A.02.01.A0003_03	12		35211050	B.01.01.A0001_03	17	1
31312084	G03_0_77436	31312084	1		A02_1_77305	31510100	1		B01_2_77329	35211050	1
31312085	I04_1_77517	31312085	1		S.01.01.A0027_00	6		35211060	B.01.01.A0001_03	15	1
31312089	I04_1_77517	31312089	1	34110028	M03_1_77650	34110028	1		B01_2_77329	35211060	1
31312094	G03_0_77436	31312094	1	34211042	H.03.02.A0003_02	17			I04_1_77517	35211060	1
31312097	F01_1_77388	31312097	1		H.03.02.A0003_03	17		35211120	H.03.02.A0003_02	33	
31312102	I04_1_77517	31312102	1		H03_1_77469	34211042	1		H.03.02.A0003_03	33	
31312124	G03_0_77436	31312124	1	34211065	G03_0_77436	34211065	1		H03_1_77469	35211120	1
31411064	Q01_0_67569	31411064	1	34213020	L.03.01.A0003_02	23	1	37111150	H.03.02.A0003_02	1	
	Q01_1_81859	31411064	1		L03_1_77607	34213020	1		H.03.02.A0003_03	1	
31411084	M03_1_77650	31411084	1		M03_1_77650	34213020	1		H03_1_77469	37111150	1
31411090	Q01_0_67569	31411090	1	34213024	M03_1_77650	34213024	1	37111152	H.03.02.A0003_02	32	



SPARE PARTS INSTANCE INDEX

Code	Parts Table	Pos.	Q.ty	Code	Parts Table	Pos.	Q.ty	Code	Parts Table	Pos.	Q.ty
37111152	H.03.02.A0003_03	32		38118859	C01_1_72820	38118859	1	52456223	B.01.01.A0001_03	4	1
	H03_1_77469	37111152	1	38119823	F01_1_77388	38119823	1		B01_2_77329	52456223	1
37111170	I04_1_77517	37111170	1	38120500	C.01.01.A0001_02	9	1	52456233	E01_1_77371	52456233	1
37111250	I04_1_77517	37111250	1		C01_1_72820	38120500	1	52456234	E01_1_77371	52456234	1
37112229	H.03.02.A0003_02	7		38140850	C.01.01.A0001_02	11	1	52456235	B.01.01.A0001_03	29	1
	H.03.02.A0003_03	7			C01_1_72820	38140850	1		B01_2_77329	52456235	1
	H03_1_77469	37112229	1	38211400	B.01.01.A0001_03	19	1	52456236	F01_1_77388	52456236	1
37112252	H.03.02.A0003_02	38			B01_2_77329	38211400	1	52456237	F01_1_77388	52456237	1
	H.03.02.A0003_03	38			M03_1_77650	38211400	1	52456243	E01_1_77371	52456243	1
	H03_1_77469	37112252	1	38212500	F01_1_77388	38212500	1	52456245	E01_1_77371	52456245	1
37112253	I04_1_77517	37112253	1	38213003	I04_1_77517	38213003	1	52456336	H.03.02.A0003_02	10	
37141250	H.03.02.A0003_02	26		38213202	F01_1_77388	38213202	1		H.03.02.A0003_03	10	
	H.03.02.A0003_03	26		38213500	F01_1_77388	38213500	1		H03_1_77469	52456336	1
	H03_1_77469	37141250	1	38213800	H.03.02.A0003_02	9		52456340	H.03.02.A0003_02	31	
37141253	C.01.01.A0001_02	7	1		H.03.02.A0003_03	9			H.03.02.A0003_03	31	
	C01_1_72820	37141253	1		H03_1_77469	38213800	1		H03_1_77469	52456340	1
37161500	C.01.01.A0001_02	3	1	38214207	H.03.02.A0003_03	9		52456349	H.03.02.A0003_02	22	
	C01_1_72820	37161500	1	51156214	B.01.01.A0001_03	2	1		H.03.02.A0003_03	22	
37320120	H.03.02.A0003_02	14			B01_2_77329	51156214	1		H03_1_77469	52456349	1
	H.03.02.A0003_03	14		51156702	G03_0_77436	51156702	1	52456354	H.03.02.A0003_02	29	
	H03_1_77469	37320120	1	51156703N	G03_0_77436	51156703	1		H.03.02.A0003_03	29	
37910832	H.03.02.A0003_02	12		511C0032N	G04_0_77461	511C003	1		H03_1_77469	52456354	1
	H.03.02.A0003_03	12		52156810Z	L.03.01.A0003_02	34	1	52456360	H.03.02.A0003_02	30	
	H03_1_77469	37910832	1		L03_1_77607	52156810	1		H.03.02.A0003_03	30	
37911532	M03_1_77650	37911532	1	52156917	J03_1_77552	52156917	1		H03_1_77469	52456360	1
38110675	E01_1_77371	38110675	1	52357250	M03_1_77650	52357250	1	52456362	H03_1_77469	52456362	1
38110873	D.01.01.A0001_02	4	1	52449640	I04_1_77517	52449640	1	52456370	H.03.02.A0003_02	3	
	D.01.01.A0003_03	4		52449641	I04_1_77517	52449641	1		H.03.02.A0003_03	3	
	D01_1_77361	38110873	1	52449642	I04_1_77517	52449642	1		H03_1_77469	52456370	1
	F01_1_77388	38110873	1	52449643N	I04_1_77517	52449643	1	52456389	H.03.02.A0003_02	24	
38111191	M03_1_77650	38111191	1	52456217	B.01.01.A0001_03	3	1		H.03.02.A0003_03	24	
38111400	I04_1_77517	38111400	1		B01_2_77329	52456217	1		H03_1_77469	52456389	1
38111872	E01_1_77371	38111872	1	52456220	B.01.01.A0001_03	20	1	52456390	H.03.02.A0003_02	19	
38118859	C.01.01.A0001_02	1	1		B01_2_77329	52456220	1		H.03.02.A0003_03	19	



SPARE PARTS INSTANCE INDEX

Code	Parts Table	Pos.	Q.ty	Code	Parts Table	Pos.	Q.ty	Code	Parts Table	Pos.	Q.ty
52456390	H03_1_77469	52456390	1	53249635V	I04_1_77517	53249635	1	55252504	A.02.01.A0003_03	11	
52456694	C.01.01.A0001_02	6	1	532C0055	F01_1_77388	532C005	1		A02_1_77305	55252504	1
	C01_1_72820	52456694	1	55102678	G03_0_77436	55102678	1		S.01.01.A0027_00	7	
52456705	H.03.02.A0003_02	10		55157212	J03_1_77552	55157212	1	55256185	K03_1_77574	55256185	1
	H03_1_77469	52456705	1		J03_2_77555	55157212	1	55256197	L.03.01.A0003_02	6	1
52456706	H.03.02.A0003_02	5			L.03.01.A0003_02	10	1		L03_1_77607	55256197	1
	H.03.02.A0003_03	5			L03_1_77607	55157212	1	55256228	B.01.01.A0001_03	13	1
	H03_1_77469	52456706	1		M03_1_77650	55157212	1		B01_2_77329	55256228	1
52456713	H.03.02.A0003_03	10		55157213	J03_1_77552	55157213	1	55256757	L.03.01.A0003_02	22	1
52457866	H.03.02.A0003_02	39			J03_2_77555	55157213	1		L03_1_77607	55256757	1
	H.03.02.A0003_03	39			L.03.01.A0003_02	16	1	55256835	L.03.01.A0003_02	2	1
	H03_1_77469	52457866	1		L03_1_77607	55157213	1		L03_1_77607	55256835	1
53052175	R.02.01.A0003_02	3	1		M03_1_77650	55157213	1	55256836	L.03.01.A0003_02	1	1
	S.01.01.A0027_00	19		55157214	L.03.01.A0003_02	33	1		L03_1_77607	55256836	1
53052176	R.02.01.A0003_02	5	1		L03_1_77607	55157214	1	55257313	M03_1_77650	55257313	1
53057666	R.02.01.A0003_02	1	1	55157215	L.03.01.A0003_02	32	1	55257321	M03_1_77650	55257321	1
53057670	R.02.01.A0003_02	2	1		L03_1_77607	55157215	1	552C0017	G03_0_77436	552C001	1
530C0056	R.02.01.A0003_02	4	1	55242528	M03_1_77650	55242528	1	552C0029	Q01_1_81859	552C002	1
53143875V	G03_0_77436	53143875	1	55243340	J03_1_77552	55243340	1	552C1001	A.02.01.A0003_03	8	
53156202V	G03_0_77436	53156202	1		J03_2_77555	55243340	1	56119937	Q01_0_67569	56119937	1
53156205	F01_1_77388	53156205	1	55248379	M03_1_77650	55248379	1		Q01_1_81859	56119937	1
53156206	F01_1_77388	53156206	1	55252406	A.02.01.A0003_02	16	1	56137370	Q01_0_67569	56137370	1
53156207	F01_1_77388	53156207	1		A.02.01.A0003_03	14			Q01_1_81859	56137370	1
53156209	D.01.01.A0001_02	3	1		A02_1_77305	55252406	1	56147520Z	G03_0_77436	56147520	1
	D.01.01.A0003_03	3		55252413	A.02.01.A0003_02	17	1	56147560	M03_1_77650	56147560	1
	D01_1_77361	53156209	1		A.02.01.A0003_03	15		56147574	M03_1_77650	56147574	1
53156210	C.01.01.A0001_02	8	1		A02_1_77305	55252413	1	56147672	M03_1_77650	56147672	1
	C01_1_72820	53156210	1	55252415	A02_1_77305	55252415	1	56148218N	N.02.01.A0003_02	1	1
53156218	C.01.01.A0001_02	10	1	55252502	S.01.01.A0027_00	14			N02_1_77691	56148218	1
	C01_1_72820	53156218	1	55252503	A.02.01.A0003_02	15	1	56148287	L.03.01.A0003_02	5	1
53156659	D.01.01.A0001_02	3	1		A.02.01.A0003_03	13			L03_1_77607	56148287	1
	D.01.01.A0003_03	3			A02_1_77305	55252503	1	56148470N	K03_1_77574	56148470	1
53156860	L.03.01.A0003_02	9	1		S.01.01.A0027_00	17		56149590	Q01_0_67569	56149590	1
	L03_1_77607	53156860	1	55252504	A.02.01.A0003_02	13	1		Q01_1_81859	56149590	1



SPARE PARTS INSTANCE INDEX

Code	Parts Table	Pos.	Q.ty	Code	Parts Table	Pos.	Q.ty	Code	Parts Table	Pos.	Q.ty
56149644	I04_1_77517	56149644	1	56157364N	M03_1_77650	56157364	1	56356330	H03_1_77469	56356330	1
56156219Z	I04_1_77517	56156219	1	56157387	Q01_0_67569	56157387	1	56356331	H.03.02.A0003_02	27	
56156224	B.01.01.A0001_03	23	1		Q01_1_81859	56157387	1		H.03.02.A0003_03	27	
	B01_2_77329	56156224	1	56157399	A.02.01.A0003_02	8	1		H03_1_77469	56356331	1
56156241N	A.02.01.A0003_02	5	1		A02_1_77305	56157399	1	56356348	H.03.02.A0003_02	16	
	A.02.01.A0003_03	4		56157495N	S.01.01.A0027_00	10			H.03.02.A0003_03	16	
	A02_1_77305	56156241	1	56157498N	S.01.01.A0027_00	4			H03_1_77469	56356348	1
56156247	C.01.01.A0001_02	4	1	56157499N	S.01.01.A0027_00	4		56356661	B.01.01.A0001_03	22	1
	C01_1_72820	56156247	1	56157513N	S.01.01.A0027_00	4			B01_2_77329	56356661	1
56156276	F01_1_77388	56156276	1	56157515N	S.01.01.A0027_00	1		56356833Z	L.03.01.A0003_02	7	1
56156281	F01_1_77388	56156281	1	56157516N	S.01.01.A0027_00	4			L03_1_77607	56356833	1
56156288Z	E01_1_77371	56156288	1	56157519N	S.01.01.A0027_00	16		56356840	N.02.01.A0003_02	7	1
56156603Z	K03_1_77574	56156603	1	56158943	H.03.02.A0003_02	35			N02_1_77691	56356840	1
56156658	B.01.01.A0001_03	26	1		H.03.02.A0003_03	35		56356840Z	L.03.01.A0003_02	19	1
	B01_2_77329	56156658	1		H03_1_77469	56158943	1		L03_1_77607	56356840	1
56156809H	M03_1_77650	56156809	1	561C0013Z	G03_0_77436	561C001	1	56356857Z	N.02.01.A0003_02	12	1
56156828Z	I04_1_77517	56156828	1	561C0078N	S.01.01.A0027_00	13			N02_1_77691	56356857	1
56156831Z	N.02.01.A0003_02	10	1	56347870Z	E01_1_77371	56347870	1	56356858Z	L.03.01.A0003_02	8	1
	N02_1_77691	56156831	1	56347873	E01_1_77371	56347873	1		L03_1_77607	56356858	1
56156832Z	L.03.01.A0003_02	24	1	56356184Z	K03_1_77574	56356184	1	56356924	J03_1_77552	56356924	1
	L03_1_77607	56156832	1	56356216	C.01.01.A0001_02	2	1		J03_2_77555	56356924	1
56156834Z	L.03.01.A0003_02	12	1		C01_1_72820	56356216	1	56443871	I04_1_77517	56443871	1
	L03_1_77607	56156834	1	56356239	F01_1_77388	56356239	1	56448183	I04_1_77517	56448183	1
56156856N	I04_1_77517	56156856	1	56356240	F01_1_77388	56356240	1	56448196	I04_1_77517	56448196	1
56156859Z	L.03.01.A0003_02	28	1	56356242	B.01.01.A0001_03	28	1	56456347	H.03.02.A0003_02	15	
	L03_1_77607	56156859	1		B01_2_77329	56356242	1		H.03.02.A0003_03	15	
56156874N	K03_1_77574	56156874	1	56356328	H.03.02.A0003_02	27			H03_1_77469	56456347	1
56156940	J03_1_77552	56156940	1		H.03.02.A0003_03	27		56456351	H03_1_77469	56456351	1
	J03_2_77555	56156940	1		H03_1_77469	56356328	1	56456476	H.03.02.A0003_02	40	
56156948N	J03_1_77552	56156948	1	56356329	H.03.02.A0003_02	27			H.03.02.A0003_03	40	
56156974N	J03_2_77555	56156974	1		H.03.02.A0003_03	27			H03_1_77469	56456476	1
56157271N	M03_1_77650	56157271	1		H03_1_77469	56356329	1	56456479	H.03.02.A0003_02	40	
56157303Z	M03_1_77650	56157303	1	56356330	H.03.02.A0003_02	27			H.03.02.A0003_03	40	
56157324	M03_1_77650	56157324	1		H.03.02.A0003_03	27			H03_1_77469	56456479	1



SPARE PARTS INSTANCE INDEX

Code	Parts Table	Pos.	Q.ty	Code	Parts Table	Pos.	Q.ty	Code	Parts Table	Pos.	Q.ty
56456657	B.01.01.A0001_03	25	1	58048214	N02_1_77691	58048214	1	58056391	H.03.02.A0003_03	11	
	B01_2_77329	56456657	1	58048215	N.02.01.A0003_02	2	1		H03_1_77469	58056391	1
56456736	H.03.02.A0003_02	13			N02_1_77691	58048215	1	58056593	K03_1_77574	58056593	1
	H.03.02.A0003_03	13		58049501	L.03.01.A0003_02	36	1	58056595	K03_1_77574	58056595	1
56458942	H.03.02.A0003_02	36			L03_1_77607	58049501	1		L.03.01.A0003_02	20	1
	H.03.02.A0003_03	36		58049505	L.03.01.A0003_02	36	1		L03_1_77607	58056595	1
	H03_1_77469	56458942	1		L03_1_77607	58049505	1	58056646	G03_0_77436	58056646	1
56556213	C.01.01.A0001_02	5	1	58049541	Q01_0_67569	58049541	1	58056683	B.01.01.A0001_03	27	1
	C01_1_72820	56556213	1		Q01_1_81859	58049541	1	58056811	K03_1_77574	58056811	1
56556282	E01_1_77371	56556282	1	58049646	I04_1_77517	58049646	1	58056812	K03_1_77574	58056812	1
58002538	K03_1_77574	58002538	1	58049830	L.03.01.A0003_02	31	1	58056814	L.03.01.A0003_02	36	1
58042111	S.01.01.A0027_00	5			L03_1_77607	58049830	1		L03_1_77607	58056814	1
58043053	G03_0_77436	58043053	1	58050345	K03_1_77574	58050345	1	58056816	K03_1_77574	58056816	1
58043086	H.03.02.A0003_02	18		58052178	R.02.01.A0003_02	6	1	58056837	L.03.01.A0003_02	3	1
	H.03.02.A0003_03	18		58052179	R.02.01.A0003_02	7	1		L03_1_77607	58056837	1
	H03_1_77469	58043086	1	58052180	R.02.01.A0003_02	9	1	58056838	K03_1_77574	58056838	1
58043117	G03_0_77436	58043117	1	58052181	R.02.01.A0003_02	11	1	58056839	K03_1_77574	58056839	1
58043176	M03_1_77650	58043176	1	58052182	R.02.01.A0003_02	12	1	58056841	L.03.01.A0003_02	29	1
58043855	I04_1_77517	58043855	1	58052191	R.02.01.A0003_02	13	1		L03_1_77607	58056841	1
58043874	I04_1_77517	58043874	1	58052192	R.02.01.A0003_02	10	1	58056842	K03_1_77574	58056842	1
58043881N	I04_1_77517	58043881	1	58052193	R.02.01.A0003_02	8	1	58056844	K03_1_77574	58056844	1
58045804	Q01_0_67569	58045804	1	58056155	K03_1_77574	58056155	1	58056845	L.03.01.A0003_02	29	1
	Q01_1_81859	58045804	1	58056186Z	K03_1_77574	58056186	1		L03_1_77607	58056845	1
58045807	Q01_0_67569	58045807	1	58056187	K03_1_77574	58056187	1	58056846	L.03.01.A0003_02	35	1
	Q01_1_81859	58045807	1	58056188	K03_1_77574	58056188	1		L03_1_77607	58056846	1
58047460	Q01_0_67569	58047460	1	58056192	B01_2_77329	58056192	1	58056847	L.03.01.A0003_02	30	1
	Q01_1_81859	58047460	1	58056208	D.01.01.A0001_02	1	1		L03_1_77607	58056847	1
58047671	M03_1_77650	58047671	1		D.01.01.A0003_03	1		58056848	L.03.01.A0003_02	30	1
58047712	L.03.01.A0003_02	11	1		D01_1_77361	58056208	1		L.03.01.A0003_02	35	1
	L03_1_77607	58047712	1	58056221	B.01.01.A0001_03	21	1		L03_1_77607	58056848	1
58048000	K03_1_77574	58048000	1		B01_2_77329	58056221	1	58056849	L.03.01.A0003_02	29	1
58048009	L.03.01.A0003_02	4	1	58056222	B.01.01.A0001_03	12	1		L03_1_77607	58056849	1
	L03_1_77607	58048009	1		B01_2_77329	58056222	1	58056864	R01_0_67594	58056864	1
58048214	N.02.01.A0003_02	3	1	58056391	H.03.02.A0003_02	11		58056866	R01_0_67594	58056866	1



SPARE PARTS INSTANCE INDEX

Code	Parts Table	Pos.	Q.ty	Code	Parts Table	Pos.	Q.ty	Code	Parts Table	Pos.	Q.ty
58056867	R01_0_67594	58056867	1	58057748	R01_0_67594	58057748	1	59056672	G03_0_77436	59056672	1
58056868	R01_0_67594	58056868	1	58057767	R01_0_67594	58057767	1	59056707	H.03.02.A0003_02	4	
58056869	R01_0_67594	58056869	1	58057768	R01_0_67594	58057768	1		H.03.02.A0003_03	4	
58056918	J03_1_77552	58056918	1	58093089	R01_0_67594	58093089	1		H03_1_77469	59056707	1
	J03_2_77555	58056918	1	580C0041	B.01.01.A0001_03	7	1	59056822N	J03_1_77552	59056822	1
	N.02.01.A0003_02	8	1		B01_2_77329	580C004	1		J03_2_77555	59056822	1
	N02_1_77691	58056918	1	58135225	Q01_0_67569	58135225	0	59057008	M03_1_77650	59057008	1
58056942N	J03_1_77552	58056942	1		Q01_1_81859	58135225	0	59057010N	J03_1_77552	59057010	1
	J03_2_77555	58056942	1	58147704	K03_1_77574	58147704	1		J03_2_77555	59057010	1
58056991	A.02.01.A0003_02	7	1	58150313	K03_1_77574	58150313	1	59057011N	J03_1_77552	59057011	1
	A.02.01.A0003_03	6		58157405	Q01_0_67569	58157405	1		J03_2_77555	59057011	1
	A02_1_77305	58056991	1		Q01_1_81859	58157405	1	59057300N	M03_1_77650	59057300	1
	J03_1_77552	58056991	1	58170021	B.01.01.A0001_03	6	1	59057317	M03_1_77650	59057317	1
	J03_2_77555	58056991	1		B01_2_77329	58170021	1	59057390	Q01_0_67569	59057390	1
	S.01.01.A0027_00	11		59048200N	N.02.01.A0003_02	13	1		Q01_1_81859	59057390	1
58057232Z	M03_1_77650	58057232	1		N02_1_77691	59048200	1	59057604	Q01_0_67569	59057604	1
58057266	A.02.01.A0003_02	4	1	59048208N	N.02.01.A0003_02	4	1		Q01_1_81859	59057604	1
	A02_1_77305	58057266	1		N02_1_77691	59048208	1	590C0065H	A.02.01.A0003_02	21	1
58057337	L.03.01.A0003_02	36	1	59049637	I04_1_77517	59049637	1		A.02.01.A0003_03	19	
	L03_1_77607	58057337	1	59053021H	A.02.01.A0003_02	11	1	590C0075	A02_1_77305	590C007	1
58057369	K03_1_77574	58057369	1		A.02.01.A0003_03	9		590C0125N	J03_2_77555	590C012	1
58057386	Q01_0_67569	58057386	1		A02_1_77305	59053021	1	59256035	D.01.01.A0001_02	5	1
	Q01_1_81859	58057386	1	59056127H	A.02.01.A0003_02	10	1		D.01.01.A0003_03	5	
58057422	K03_1_77574	58057422	1		A.02.01.A0003_03	9			D01_1_77361	59256035	1
58057450	R01_0_67594	58057450	1		A02_1_77305	59056127	1	59256036	D.01.01.A0001_02	5	1
58057451	R01_0_67594	58057451	1	59056225Z	B.01.01.A0001_03	14	1		D.01.01.A0003_03	5	
58057610	Q01_0_67569	58057610	1		B01_2_77329	59056225	1		D01_1_77361	59256036	1
58057625	R01_0_67594	58057625	1	59056230Z	B01_2_77329	59056230	1	59256037	D.01.01.A0001_02	5	1
58057676	R01_0_67594	58057676	1	59056244	G03_0_77436	59056244	1		D.01.01.A0003_03	5	
58057677	R01_0_67594	58057677	1	59056298Z	B.01.01.A0001_03	18	1		D01_1_77361	59256037	1
58057724	R01_0_67594	58057724	1	59056365	H03_1_77469	59056365	1	59256038	D.01.01.A0001_02	5	1
58057732	R01_0_67594	58057732	1	59056383	H.03.02.A0003_02	2			D.01.01.A0003_03	5	
58057746	R01_0_67594	58057746	1		H.03.02.A0003_03	2			D01_1_77361	59256038	1
58057747	R01_0_67594	58057747	1		H03_1_77469	59056383	1	59256039	D.01.01.A0001_02	5	1



SPARE PARTS INSTANCE INDEX

Code	Parts Table	Pos.	Q.ty
59256039	D.01.01.A0003_03	5	
	D01_1_77361	59256039	1
59256178	K03_1_77574	59256178	1
59256180	L.03.01.A0003_02	15	1
	L03_1_77607	59256180	1
59256200	B.01.01.A0001_03	11	1
	B01_2_77329	59256200	1
59256693	C.01.01.A0001_02	12	1
	C01_1_72820	59256693	1
59256850	L.03.01.A0003_02	26	1
	L03_1_77607	59256850	1
59257161	K03_1_77574	59257161	1
59257488	S.01.01.A0027_00	9	
59257517	S.01.01.A0027_00	18	
59257523	S.01.01.A0027_00	18	
592C0030N	G04_0_77461	592C003	1
592C0031N	G04_0_77461	592C003	1
592C0080	S.01.01.A0027_00	18	
F0803067000	F01_1_77388	F0803067	1
F0803075500	F01_1_77388	F0803075	1
F0825500200	Q01_0_67569	F0825500	1
	Q01_1_81859	F0825500	1
F0825500210	Q01_0_67569	F0825500	1
	Q01_1_81859	F0825500	1
F0825500220	Q01_0_67569	F0825500	1
	Q01_1_81859	F0825500	1
F0831193010	M03_1_77650	F0831193	1
F0844273090	B.01.01.A0001_03	8	1
	B01_2_77329	F0844273	1